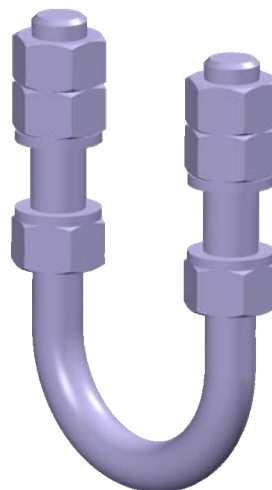
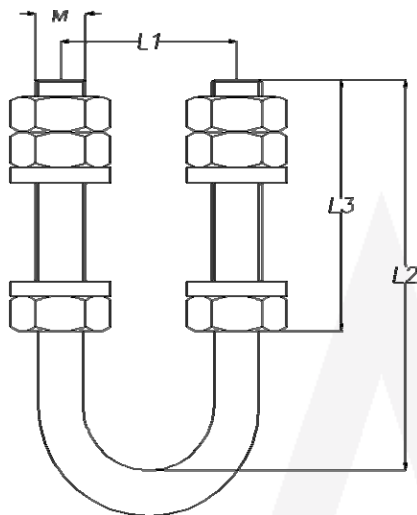




TOWER ATTACHMENTS

ALDA

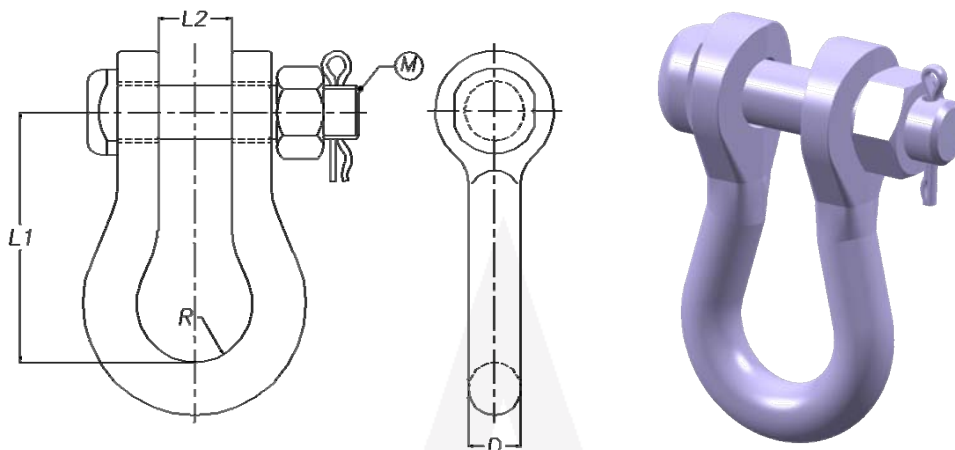
U - BOLTS



No.	Part No.	Dimensions (mm)			M	Min. Breaking Strength (kN)	Weight (Kg)
		L1	L2	L3			
1	UB.14.70.2	70	135	90	14	70	0.5
2	UB.16.70.5	70	125	75	16	100	0.61
3	UB.16.70.7	70	120	75	16	100	0.60
4	UB.16.70.8	70	135	75	16	100	0.63
5	UB.18.70.1	70	135	90	18	140	0.85
6	UB.18.80.1	80	135	90	18	140	0.9
7	UB.18.80.2	80	124	80	18	140	0.75
8	UB.20.70.6	70	135	90	20	180	1.12
9	UB.20.70.7	70	215	120	20	180	1.46
10	UB.20.70.8	70	155	100	20	180	1.21
11	UB.20.70.9	70	265	90	20	180	1.67
12	UB.22.70.1	70	135	95	22	230	1.15
13	UB.22.80	80	155	120	22	230	1.5
14	UB.22.90.1	90	145	105	22	230	1.46
15	UB.22.90.2	90	150	110	22	230	1.49

SHACKLES

Type 1

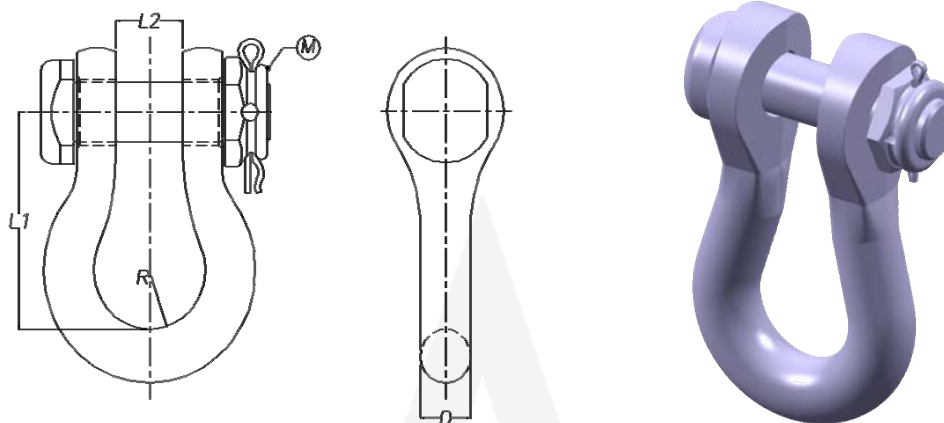


No.	Part No.	Dimensions (mm)				M	Min. Breaking Strength (kN)	Weight (Kg)
		L1	L2	R	D			
1	SH.12.26.08	75	22	17.5	14	16	80	0.5
2	SH.12.22	75	22	17.5	16	16	120	0.65
3	SH.16.22	73	24	20	18	20	160	0.95
4	SH.24.04	100	24	20	20	22	240	1.45
5	SH.32.01.1	96	25	21	24	22	320	1.93
6	SH.32.14	96	25	21	24	27	320	2.15
7	SH.32.15	96	36	21	24	24	320	2.03
8	SH.42.02	120	35	25	28	30	420	3.2
9	SH.50.07	120	35	25	28	33	500	3.86
10	SH.63.04	155	36	30	35	36	630	5.42

ALDA

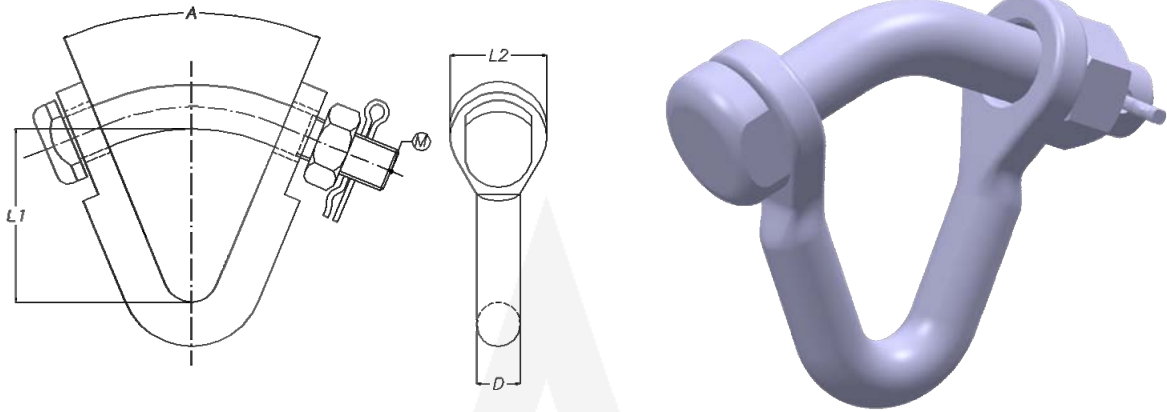
SHACKLES

Type 2



No.	Part No.	Dimensions (mm)				M	Min. Breaking Strength (kN)	Weight (Kg)
		L1	L2	R	D			
1	SH.12.07	75	22	17.5	16	16	120	0.6
2	SH.16.21	73	24	20	18	20	160	0.9
3	SH.24.04.1	100	24	20	20	22	240	1.42
4	SH.32.01	96	25	21	24	22	320	1.9

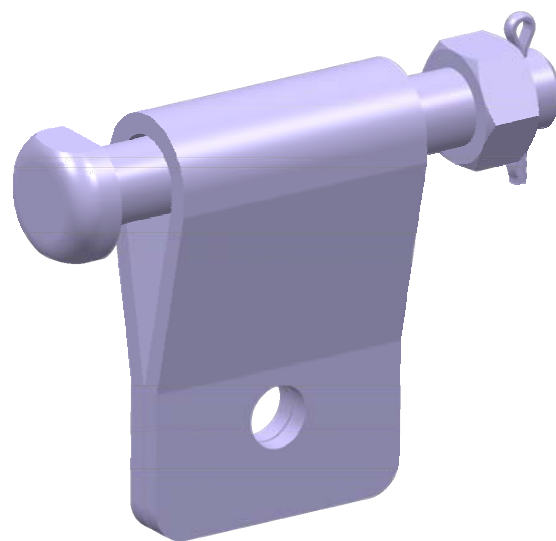
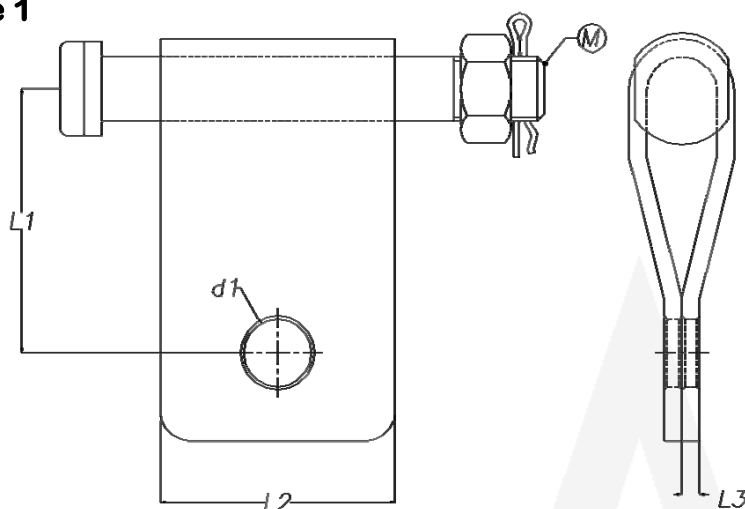
V - SHACKLES



No.	Part No.	Dimensions (mm)				M	Min. Breaking Strength (kN)	Weight (Kg)
		L1	L2	D	A (Angle)			
1	VS.12.01	65	35	16	45	16	100	0.6
2	VS.08.01	63	38	20	30	16	120	0.85

HINGES

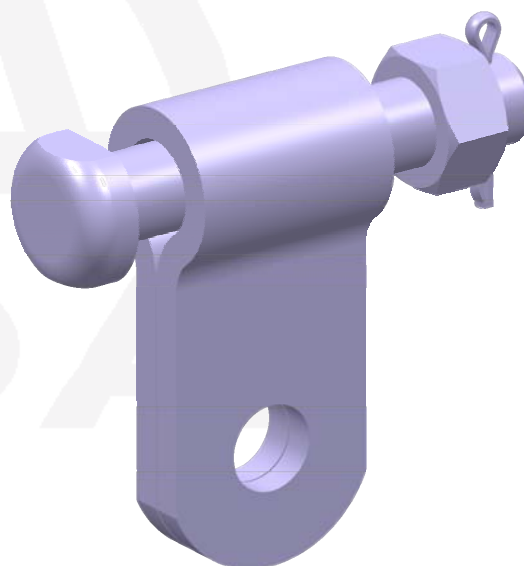
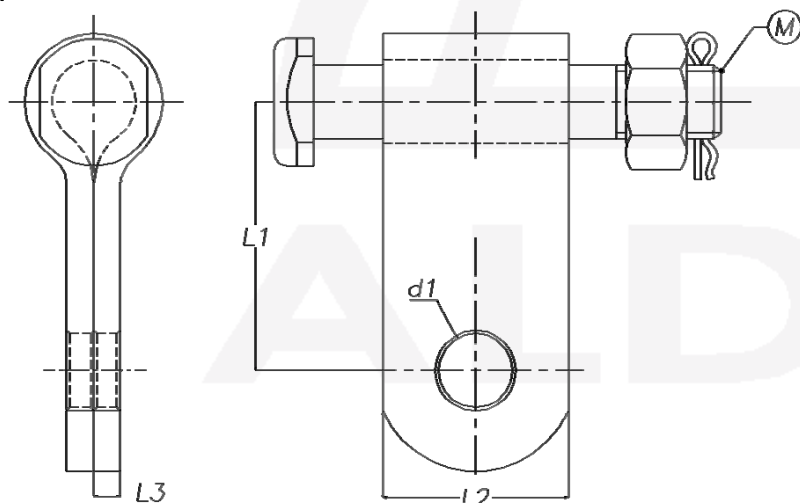
Type 1



No.	Part No.	Dimensions (mm)				M	Min. Breaking Strength (kN)	Weight (Kg)
		L1	L2	L3	d1			
1	UH. 12.22	90	80	6	23	22	120	1.65
2	UH. 12.22.1	90	80	6	18	22	120	1.67

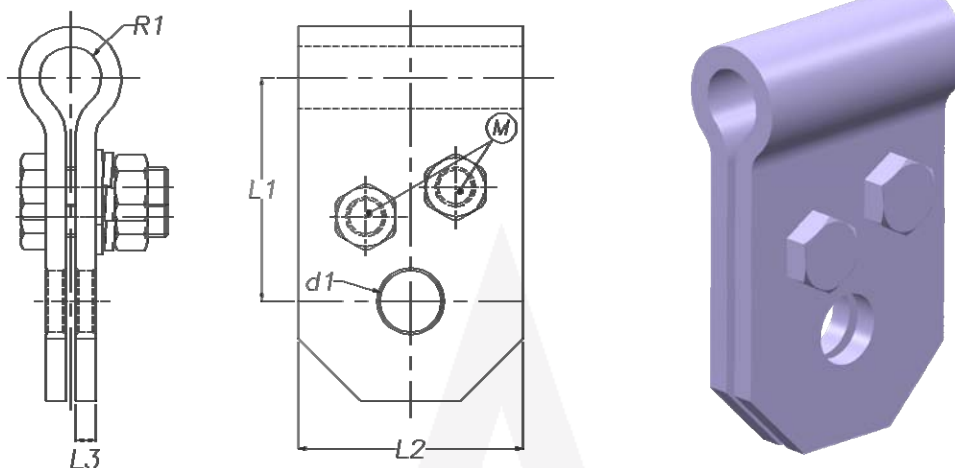
HINGES

Type 2



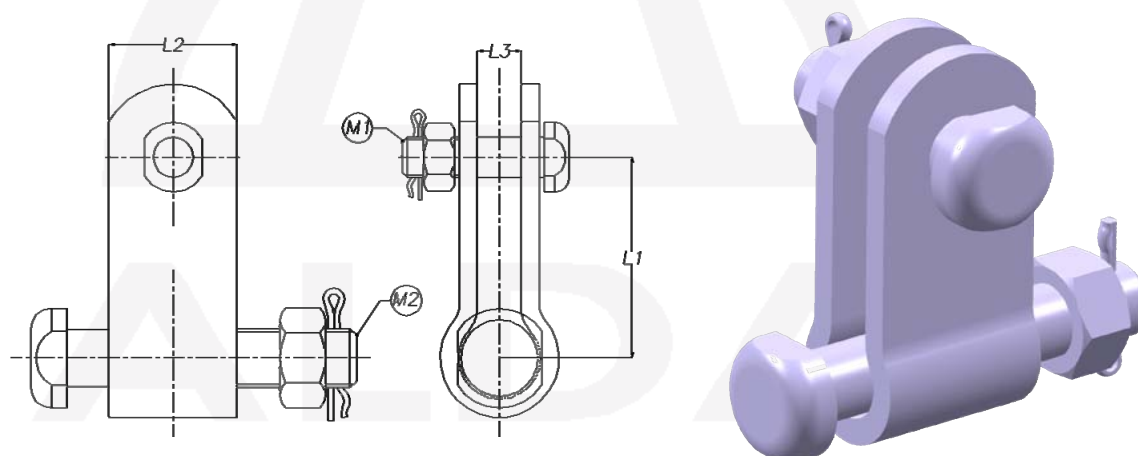
No.	Part No.	Dimensions (mm)				M	Min. Breaking Strength (kN)	Weight (Kg)
		L1	L2	L3	d1			
1	UH.20.01	80	55	8	22	22	200	1.40

HINGES Type 3



No.	Part No.	Dimensions (mm)					M	Min. Breaking Strength (kN)	Weight (Kg)
		L1	L2	L3	d1	R1			
1	UH.24.01	90	90	8	25	12.5	16	240	1.87

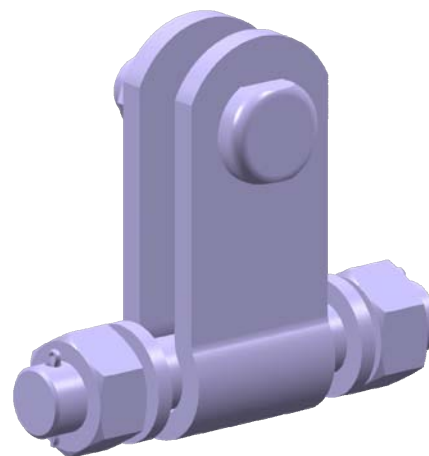
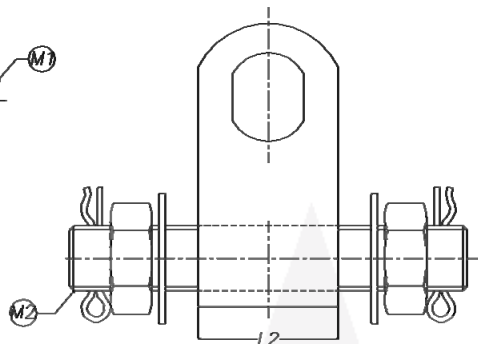
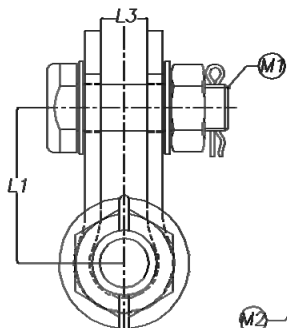
HINGES Type 4



No.	Part No.	Dimensions (mm)			M1	M2	Min. Breaking Strength (kN)	Weight (Kg)
		L1	L2	L3				
1	UH.32.01	110	70	24	22	42	320	6

HINGES

Type 5



No.	Part No.	Dimensions (mm)			M1	M2	Min. Breaking Strength (kN)	Weight (Kg)
		L1	L2	L3				
1	UH.42.03	100	90	32	30	42	420	3.83
2	UH.63.01	140	100	32	36	42	630	6.94