

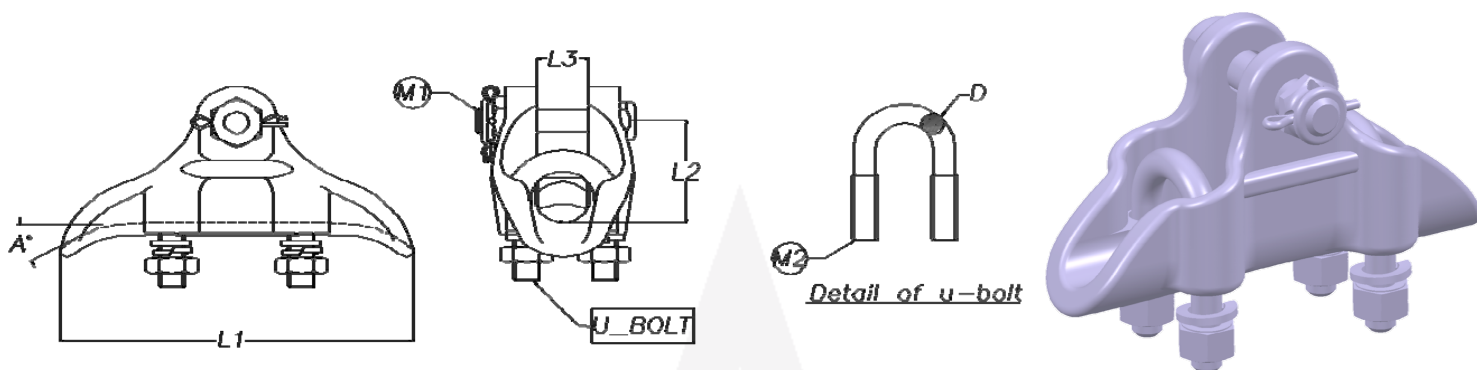


# SUSPENSION CLAMPS

ALDA

## SUSPENSION CLAMPS

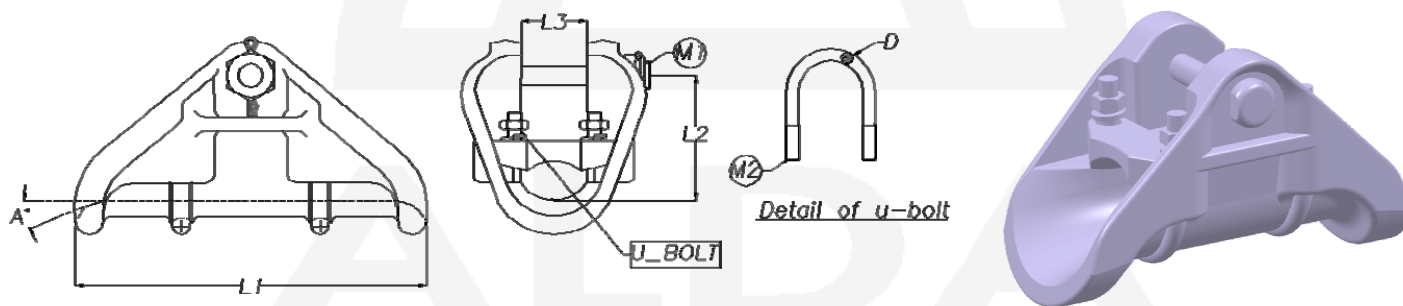
### Type 1



No.	Part No.	Conductor Range (mm)	Dimensions (mm)				A (degree)	M1	M2	Min. Breaking Strength (kN)	Min. Tightening Torque (Nm)	Weight (Kg)
			L1	L2	L3	D						
1	SU.23.300.X	Ø10 ~ Ø21	190	60	21	12.5	20	16	14	70	60	1.2
2	SU.28.300.X	Ø9 ~ Ø28	191	70	28	12.5	20	16	14	80	60	1.38

## SUSPENSION CLAMPS

### Type 2



No.	Part No.	Conductor Range (mm)	Dimensions (mm)				A (degree)	M1	M2	Min. Breaking Strength (kN)	Min. Tightening Torque (Nm)	Weight (Kg)
			L1	L2	L3	D						
1	SU.38.300.X	Ø21.8 ~ Ø36.2	235	82	41.5	10.8	20	16	12	100	60	2.32
2	SU.45.300.X	Ø36.2 ~ Ø41	240	84	45	10.8	20	20	12	120	60	2.55
3	SU.67.300.X	Ø41 ~ Ø55	284	105	61	12.5	20	20	14	120	65	4.5

ALDA MANUFACTURING CO.

No. 7, Maryam Alley, Hakim Highway, Tehran-Iran ■ Postal Code: 1473666751

Tel: (+9821) 44003214-6 ■ Fax: (+9821) 44003217

Email: Info@AldaCompany.com