

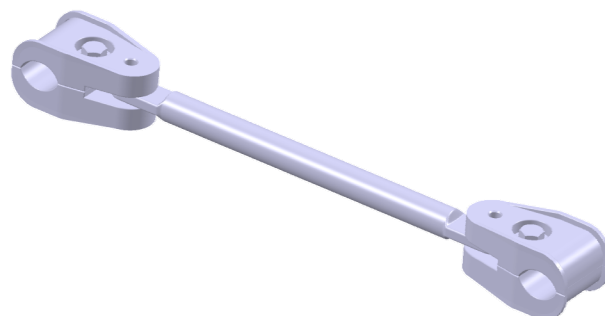
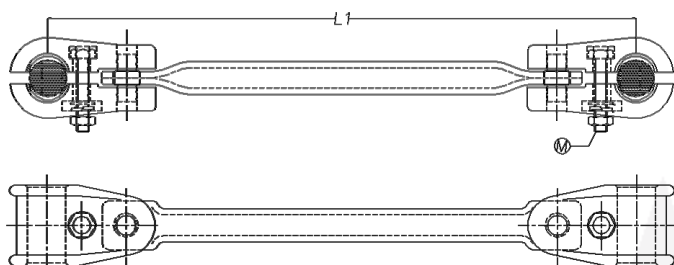


# SPACERS



ALDA

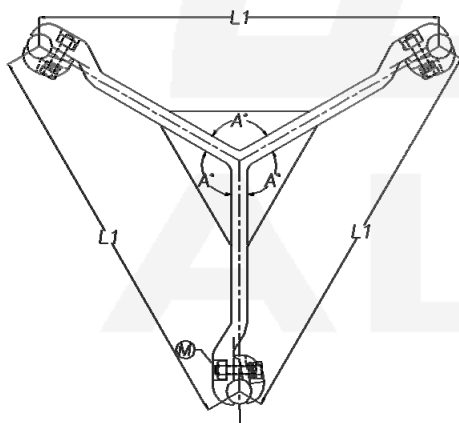
## SPACERS Type 1



No.	Part No.	Conductor Range (mm)	Dimension (mm)	M	Weight (Kg)
			L1		
1	SP.300.01.X	Ø14.5 ~ Ø24.5	300	12	1.46
2	SP.330.01.X	Ø14.5 ~ Ø24.5	330	12	1.49
3	SP.400.01.X	Ø24.5 ~ Ø36.2	400	12	1.56
4	SP.450.01.X	Ø24.5 ~ Ø36.2	450	12	1.6
5	SP.457.01.X	Ø24.5 ~ Ø36.2	457	12	1.61

Specific requirements for each conductor, including conductor seat dimensions shall be considered.

## SPACERS Type 2



No.	Part No.	Conductor Range (mm)	Dimension (mm)	A (degree)	M	Weight (Kg)
			L1			
1	SP3.457.02.X	Ø24.5 ~ Ø36.2	457	120	12	3

Specific requirements for each conductor, including conductor seat dimensions shall be considered.

ALDA MANUFACTURING CO.

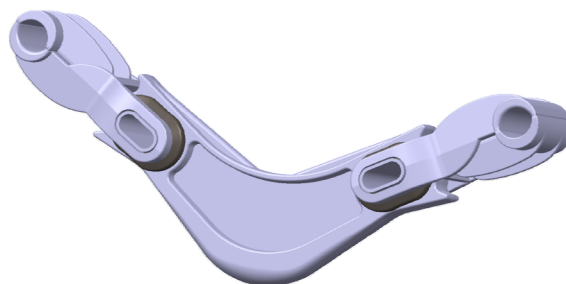
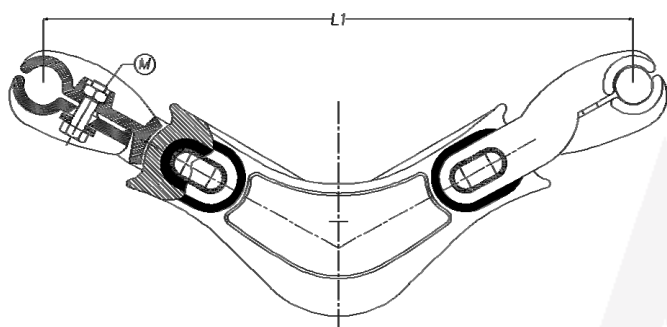
No. 7, Maryam Alley, Hakim Highway, Tehran Iran ■ Postal Code: 1473666751

Tel: (+9821) 44003214 6 ■ Fax: (+9821) 44003217

Email: Info@AldaCompany.com

## SPACER DAMPERS

### Type 1

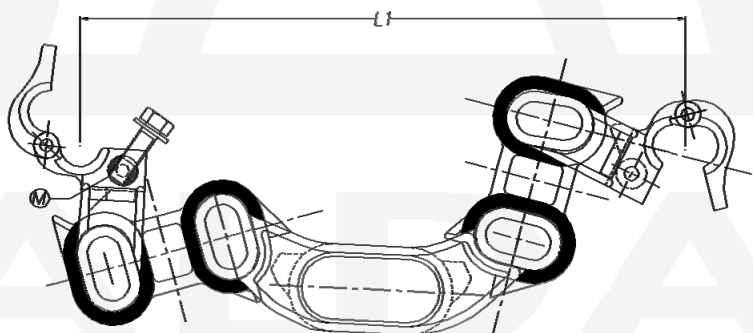


No.	Part No.	Conductor Range (mm)	Dimension (mm)		M	Weight (Kg)
			L1			
1	SPD.457.X	Ø24.5 ~ Ø36.2	457		12	2.75

Specific requirements for each conductor, including conductor seat dimensions shall be considered.

## SPACER DAMPERS

### Type 2



No.	Part No.	Conductor Range (mm)	Dimension (mm)		M	Weight (Kg)
			L1			
1	SPD.450.X	Ø24.5 ~ Ø36.2	457		14	5

Specific requirements for each conductor, including conductor seat dimensions shall be considered.

ALDA MANUFACTURING CO.

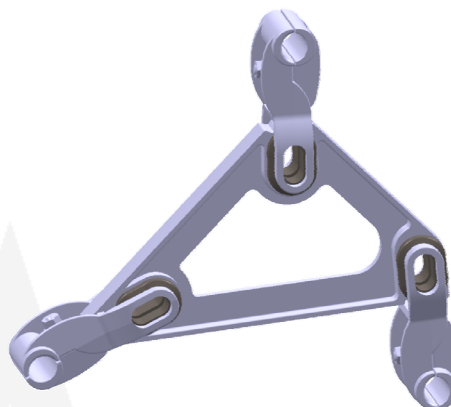
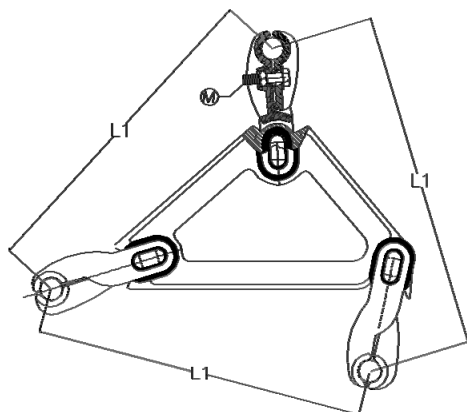
No. 7, Maryam Alley, Hakim Highway, Tehran Iran ■ Postal Code: 1473666751

Tel: (+9821) 44003214 6 ■ Fax: (+9821) 44003217

Email: [Info@AldaCompany.com](mailto:Info@AldaCompany.com)

## SPACER DAMPERS

### Type 3

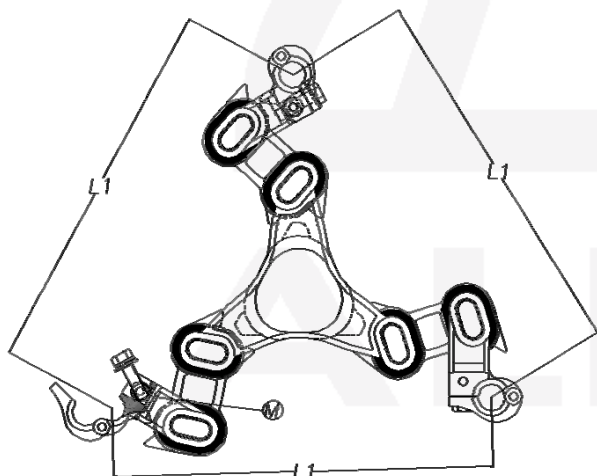


No.	Part No.	Conductor Range (mm)	Dimension (mm)		M	Weight (Kg)
			L1			
1	SPD.457.01.X	Ø24.5 ~ Ø36.2	457		12	3.8

Specific requirements for each conductor, including conductor seat dimensions shall be considered.

## SPACER DAMPER

### Type 4



No.	Part No.	Conductor Range (mm)	Dimension (mm)		M	Weight (Kg)
			L1			
1	SPD.457.T.X	Ø24.5 ~ Ø36.2	457		14	7

Specific requirements for each conductor, including conductor seat dimensions shall be considered.

ALDA MANUFACTURING CO.

No. 7, Maryam Alley, Hakim Highway, Tehran Iran ■ Postal Code: 1473666751

Tel: (+9821) 44003214 6 ■ Fax: (+9821) 44003217

Email: [Info@AldaCompany.com](mailto:Info@AldaCompany.com)