

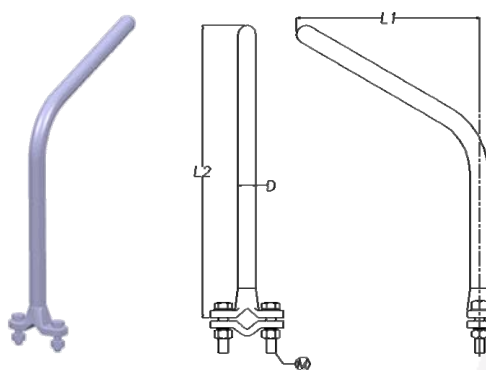
ARCING DEVICES



ALDA

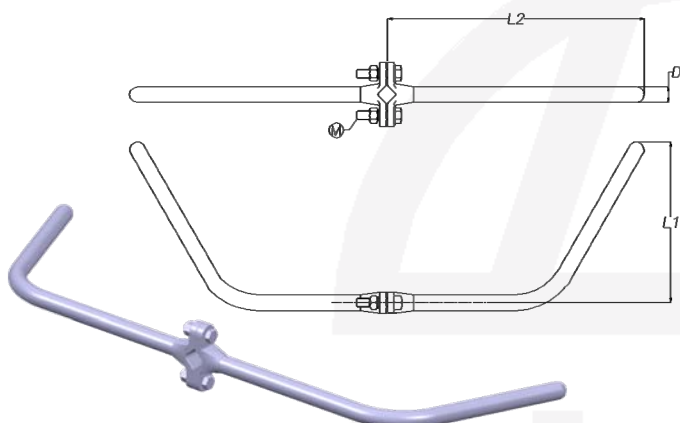
ALUMINUM ARCING DEVICES

Arcing Horns Type 1



No.	Part No.	Dimensions (mm)			M	Weight (Kg)
		L1	L2	D		
1	AD.40.02	250	400	25	12	1.1
2	AD.40.54	545	300	25	12	1.36

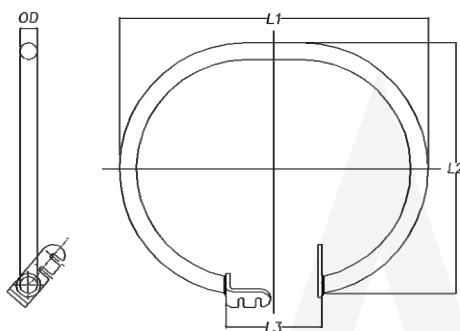
Arcing Horns Type 2



No.	Part No.	Dimensions (mm)			M	Weight (Kg)
		L1	L2	D		
1	AD.40.02.1	250	400	25	12	1.7

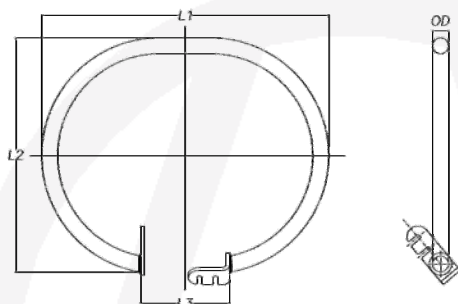
ALUMINUM ARCING DEVICES

Arcing Rackets Type 1



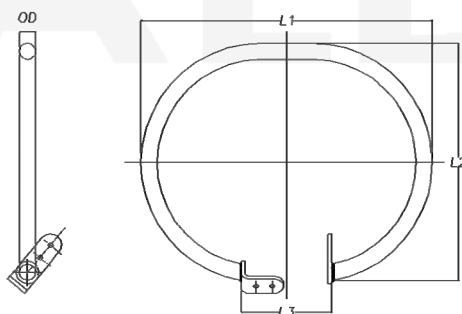
No.	Part No.	Dimensions (mm)				Weight (Kg)
		L1	L2	L3	OD	
1	AH.40.12	900	735	280	50	3.2

Arcing Rackets Type 2



No.	Part No.	Dimensions (mm)				Weight (Kg)
		L1	L2	L3	OD	
1	AH.40.13	900	735	280	50	3.2

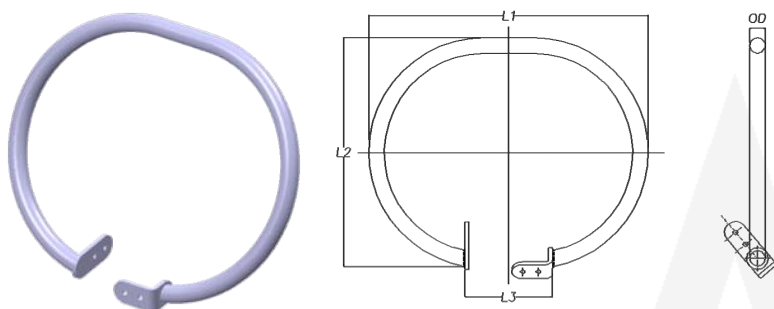
Arcing Rackets Type 3



No.	Part No.	Dimensions (mm)				Weight (Kg)
		L1	L2	L3	OD	
1	AH.40.32	900	735	280	50	3.2

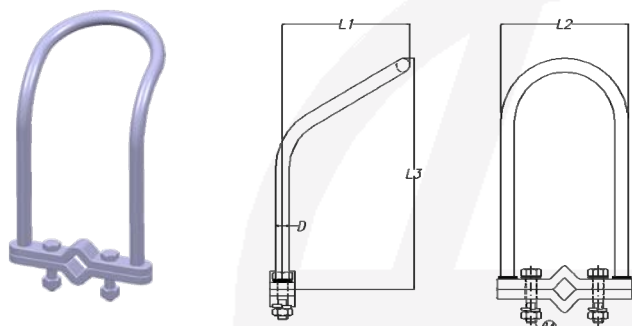
ALUMINUM ARCING DEVICES

Arcing Rackets Type 4



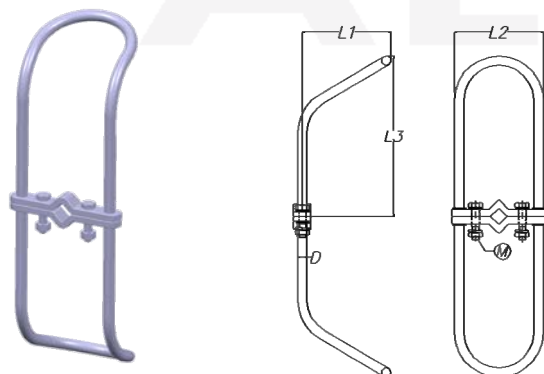
No.	Part No.	Dimensions (mm)				Weight (Kg)
		L1	L2	L3	OD	
1	AH.40.33	900	735	280	50	3.2

Arcing Rackets Type 5



No.	Part No.	Dimensions (mm)				M	Weight (Kg)
		L1	L2	L3	D		
1	AD.23.07	152	152	275	16	12	0.9
2	AD.23.11	152	152	500	16	12	1.15

Arcing Rackets Type 6



No.	Part No.	Dimensions (mm)				M	Weight (Kg)
		L1	L2	L3	D		
1	AD.23.07.1	152	152	275	16	12	1.3

ALDA MANUFACTURING CO.

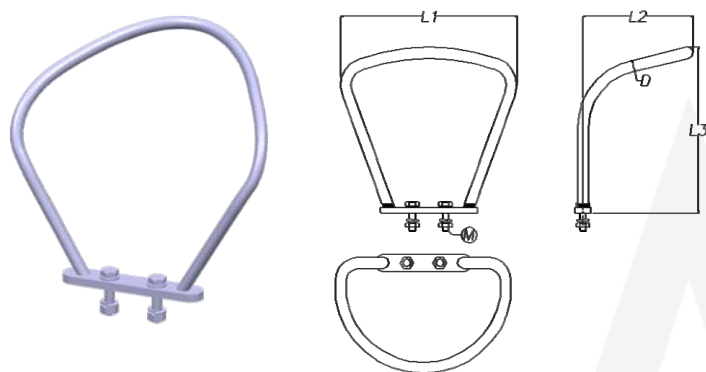
No. 7, Maryam Alley, Hakim Highway, Tehran-Iran ■ Postal Code: 1473666751

Tel: (+9821) 44003214-6 ■ Fax: (+9821) 44003217

Email: Info@AldaCompany.com

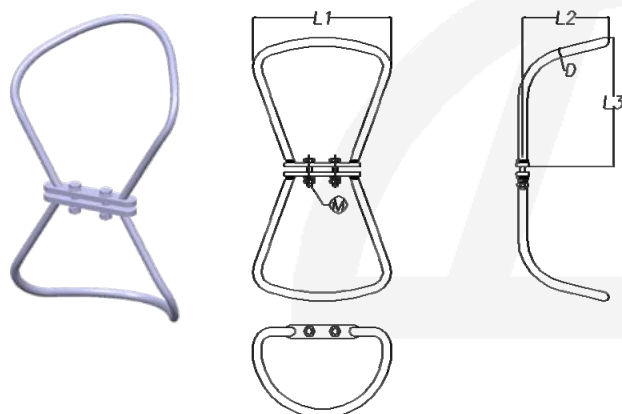
ALUMINUM ARCING DEVICES

Arcing Rackets Type 7



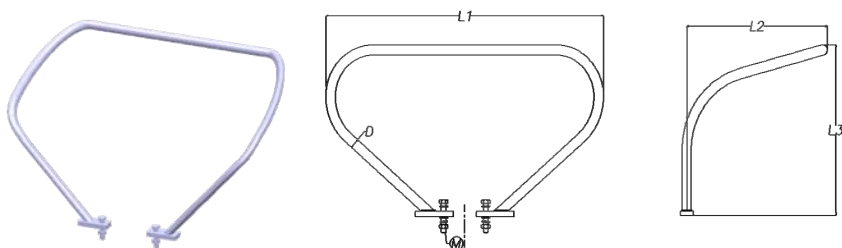
No.	Part No.	Dimensions (mm)				M	Weight (Kg)
		L1	L2	L3	D		
1	AD.40.10	730	370	415	25	12	2.94
2	AH.06.01	320	200	300	25	12	1.8

Arcing Rackets Type 8



No.	Part No.	Dimensions (mm)				M	Weight (Kg)
		L1	L2	L3	D		
1	AD.40.10.1	730	370	415	25	12	5.73
2	AH.06.02	320	200	300	25	12	3.5
3	AH.40.08	800	400	450	60	12	7.06
4	AH.40.34	780	400	450	50	12	5.2

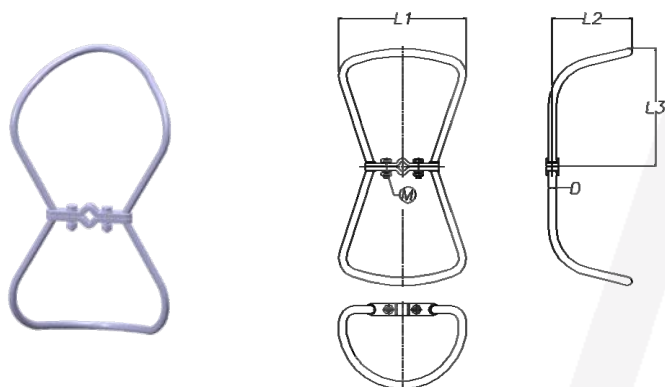
Arcing Rackets Type 9



No.	Part No.	Dimensions (mm)				M	Weight (Kg)
		L1	L2	L3	D		
1	AD.40.11	730	370	415	25	12	2.93

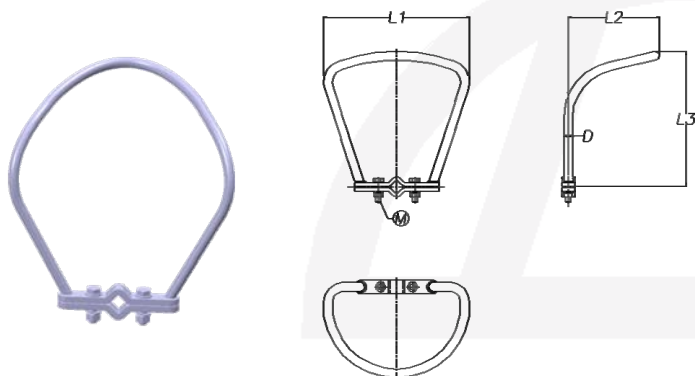
ALUMINUM ARCING DEVICES

Arcing Rackets Type 10



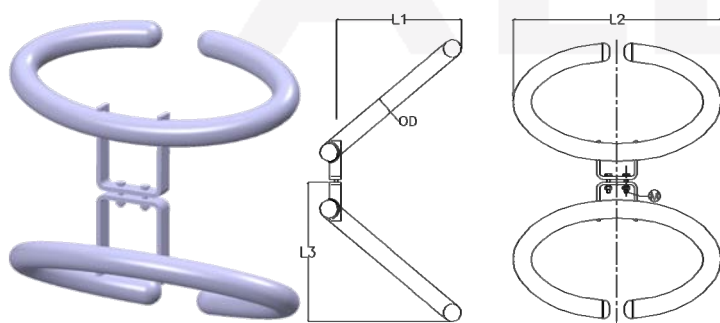
No.	Part No.	Dimensions (mm)				M	Weight (Kg)
		L1	L2	L3	D		
1	AH.06.07	320	200	298	25	12	3.5

Arcing Rackets Type 11



No.	Part No.	Dimensions (mm)				M	Weight (Kg)
		L1	L2	L3	D		
1	AH.06.07.1	320	200	298	25	12	1.8

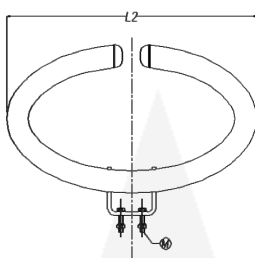
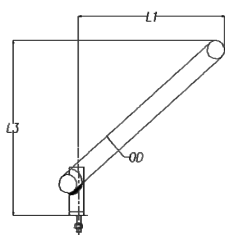
Arcing Rackets Type 12



No.	Part No.	Dimensions (mm)				M	Weight (Kg)
		L1	L2	L3	OD		
1	AH.40.01	410	700	470	60	12	7.2
2	AH.40.10	410	700	530	60	12	7.2

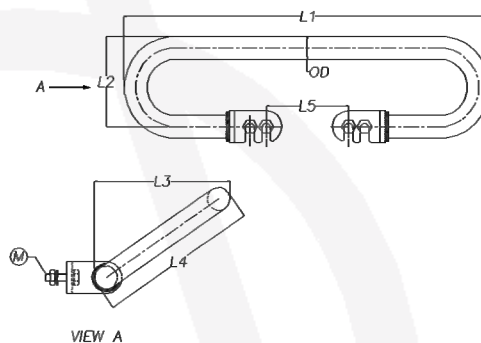
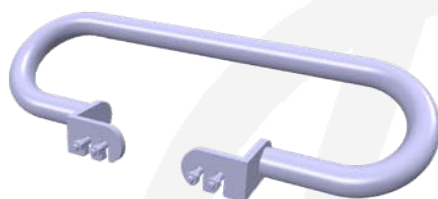
ALUMINUM ARCING DEVICES

Arcing Rackets Type 13



No.	Part No.	Dimensions (mm)				M	Weight (Kg)
		L1	L2	L3	OD		
1	AH.40.01.1	410	700	470	60	12	3.7

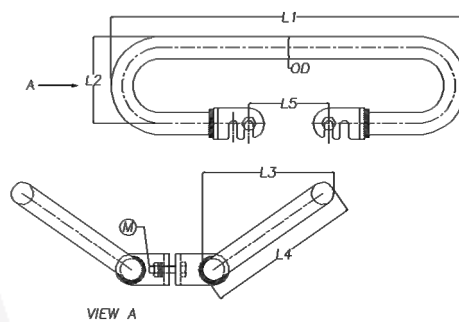
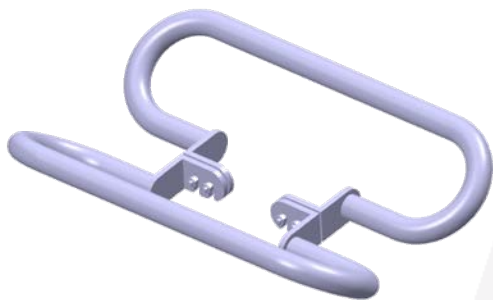
Arcing Rackets Type 14



No.	Part No.	Dimensions (mm)						M	Weight (Kg)
		L1	L2	L3	L4	L5	OD		
1	AH.40.05	800	197	296	350	180	50	12	2.93
2	AH.40.16	1080	343	368	500	180	50	12	3.54
3	AH.40.19.1	1080	340	370	500	90	50	12	3.42
4	AH.40.23	800	270	402	500	110	50	12	3.14
5	AH.40.24.1	800	270	402	500	180	50	12	3.04
6	AH.40.31	600	197	296	350	90	50	12	2.21
7	AH.40.40	800	370	314	500	180	50	12	2.8

ALUMINUM ARCING DEVICES

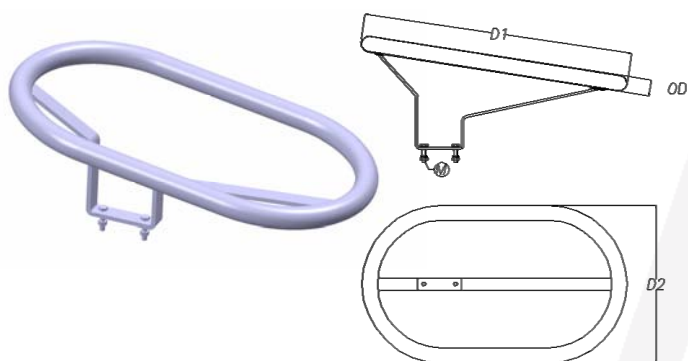
Arcing Rackets Type 15



No.	Part No.	Dimensions (mm)						M	Weight (Kg)
		L1	L2	L3	L4	L5	OD		
1	AH.40.05.2	800	197	296	350	180	50	12	4.95
2	AH.40.19	1080	340	370	500	90	50	12	6.7
3	AH.40.24	800	270	402	500	180	50	12	5.65
4	AH.40.25	800	270	402	500	110	50	12	5.75

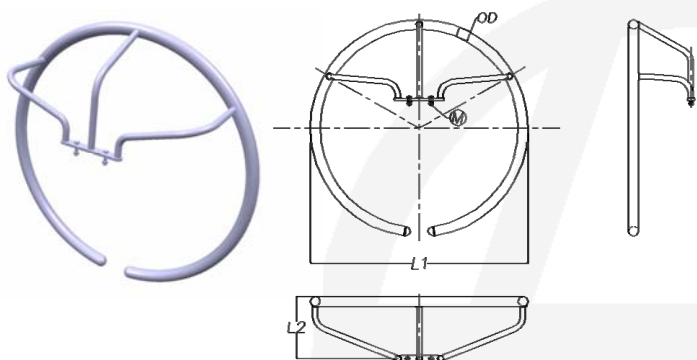
ALUMINUM ARCING DEVICES

Arcing Rings Type 1



No.	Part No.	Dimensions (mm)			M	Weight (Kg)
		D1	D2	OD		
1	AG.50.01	850	500	51	12	3.7
2	AG.50.02	1200	500	51	12	4.5

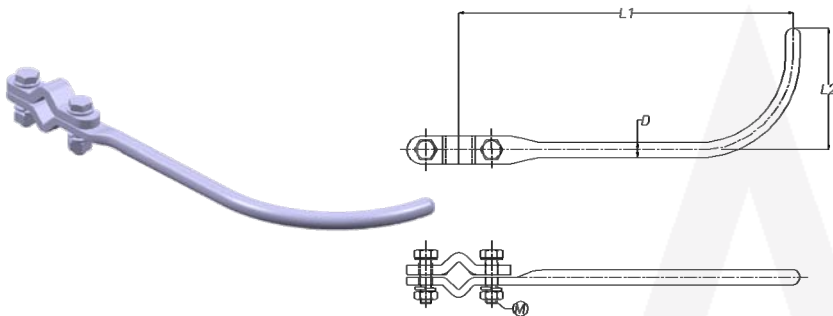
Arcing Rings Type 2



No.	Part No.	Dimensions (mm)			M	Weight (Kg)
		L1	L2	OD		
1	AH.40.39	1100	315	51	12	5.7

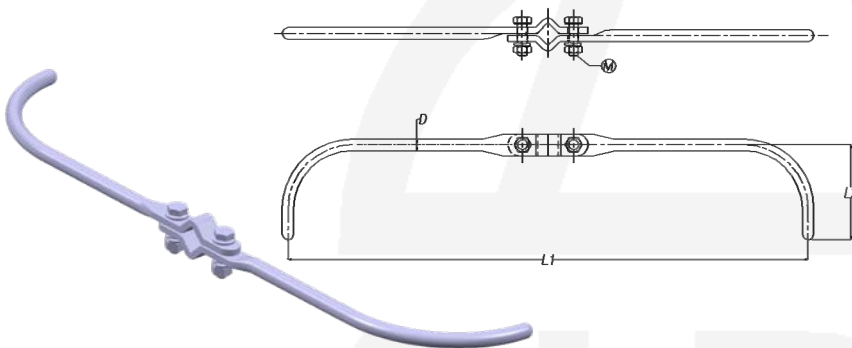
STEEL ARCING DEVICES

Arcing Horns Type 1



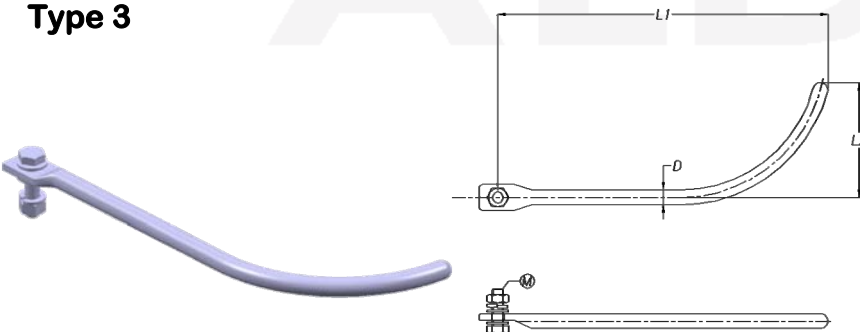
No.	Part No.	Dimensions (mm)			M	Weight (Kg)
		L1	L2	D		
1	AH.13.03.1.ST	356	130	16	12	1.125
2	AH.13.03.3.ST	356	123	16	12	1.125

Arcing Horns Type 2



No.	Part No.	Dimensions (mm)			M	Weight (Kg)
		L1	L2	D		
1	AH.13.04.1.ST	712	130	16	12	1.8

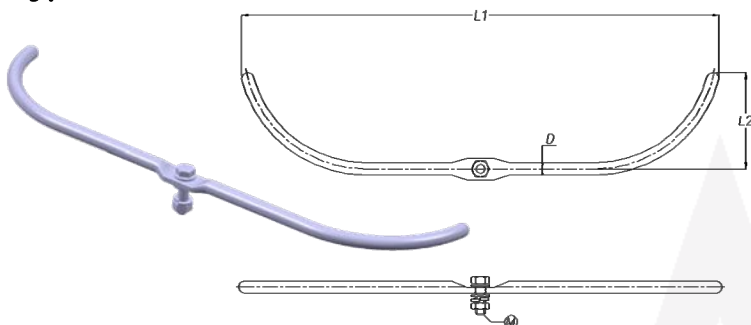
Arcing Horns Type 3



No.	Part No.	Dimensions (mm)			M	Weight (Kg)
		L1	L2	D		
1	AH.13.20.1.ST	360	125	16	12	0.72

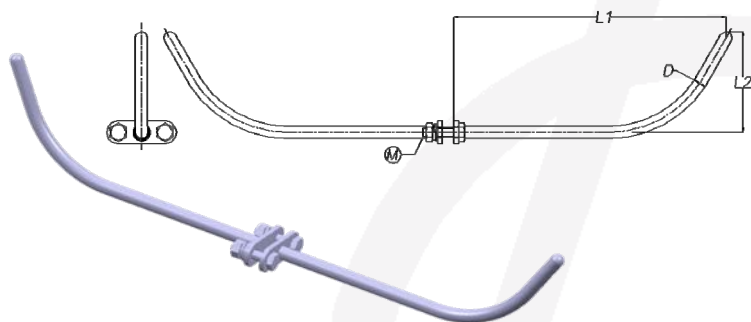
STEEL ARCING DEVICES

Arcing Horns Type 4



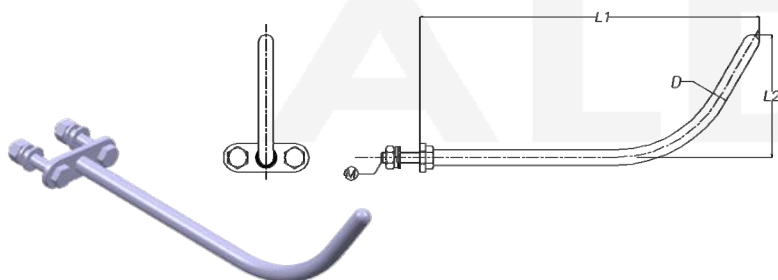
No.	Part No.	Dimensions (mm)			M	Weight (Kg)
		L1	L2	D		
1	AH.13.20.2.ST	620	125	16	12	1.26
2	AH.13.20.ST	721	125	16	12	1.42
3	AH.13.21.ST	731	200	16	12	1.66

Arcing Horns Type 5



No.	Part No.	Dimensions (mm)			M	Weight (Kg)
		L1	L2	D		
1	AH.13.27.ST	350	130	16	12	1.68
2	AH.23.19.ST.2	270	120	25	12	3.32

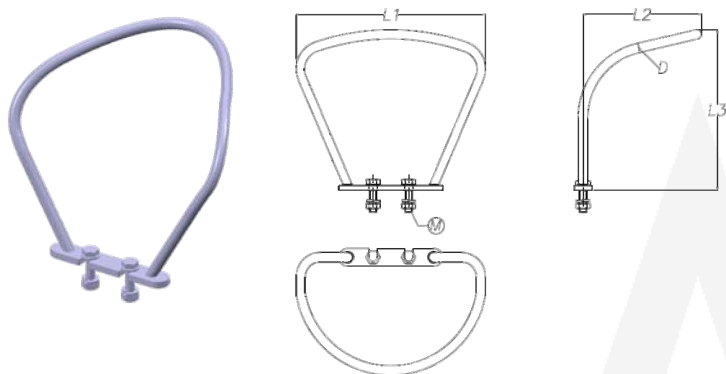
Arcing Horns Type 6



No.	Part No.	Dimensions (mm)			M	Weight (Kg)
		L1	L2	D		
1	AH.13.28.ST	350	130	16	12	0.92
2	AH.23.19.ST	270	120	25	12	1.74

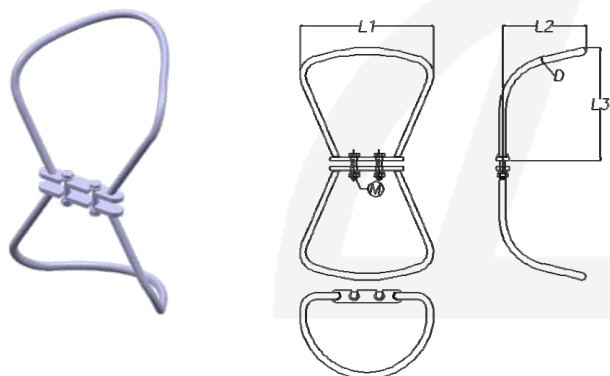
STEEL ARCING DEVICES

Arcing Rackets Type 1



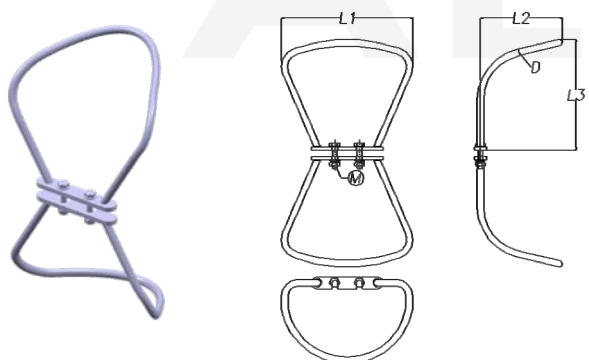
No.	Part No.	Dimensions (mm)				M	Weight (Kg)
		L1	L2	L3	D		
1	AD.23.51	320	200	270	16	12	2.1
2	AH.23.51	320	200	270	25	12	4.2

Arcing Rackets Type 2



No.	Part No.	Dimensions (mm)				M	Weight (Kg)
		L1	L2	L3	D		
1	AD.23.51.1	320	200	270	16	12	4.05
2	AH.23.22	320	200	392	25	12	10.14
3	AH.23.51.2	320	200	270	25	12	8.2

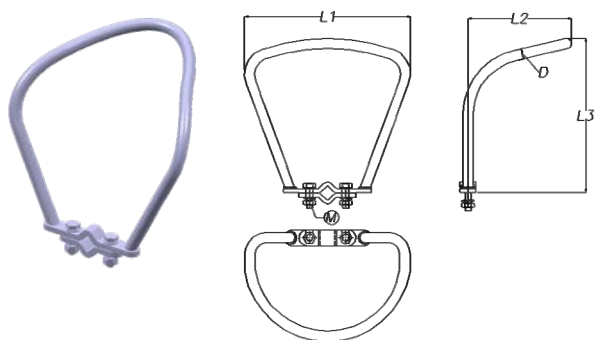
Arcing Rackets Type 3



No.	Part No.	Dimensions (mm)				M	Weight (Kg)
		L1	L2	L3	D		
1	AD.23.51.3	320	200	270	16	12	4.05

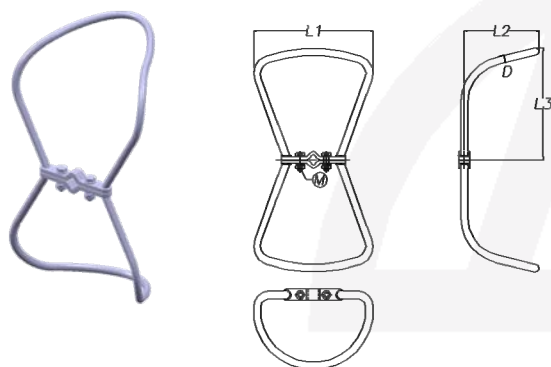
STEEL ARCING DEVICES

Arcing Rackets Type 4



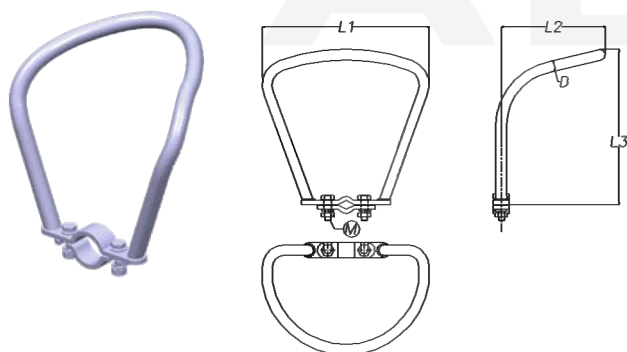
No.	Part No.	Dimensions (mm)				M	Weight (Kg)
		L1	L2	L3	D		
1	AH.06.07.1.ST	320	200	298	20	12	3.1
2	AH.23.51.1	320	200	300	25	12	4.57
3	AH.23.51.3	320	200	300	16	12	2.13

Arcing Rackets Type 5



No.	Part No.	Dimensions (mm)				M	Weight (Kg)
		L1	L2	L3	D		
1	AH.06.07.2.ST	320	200	298	16	12	4.05
2	AH.06.07.ST	320	200	298	20	12	6
3	AH.23.51.4	320	200	300	25	12	8.39

Arcing Rackets Type 6

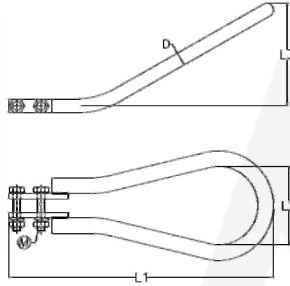
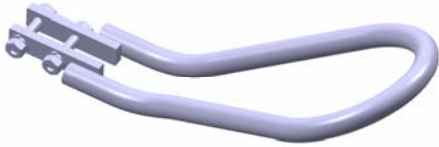


No.	Part No.	Dimensions (mm)				M	Weight (Kg)
		L1	L2	L3	D		
1	AH.23.51.5	320	200	300	25	12	4.82



STEEL ARCING DEVICES

Arcing Rackets Type 7



No.	Part No.	Dimensions (mm)				M	Weight (Kg)
		L1	L2	L3	D		
1	AH.23.54.ST	490	145	190	25	12	4.52

ALDA

ALDA MANUFACTURING CO.

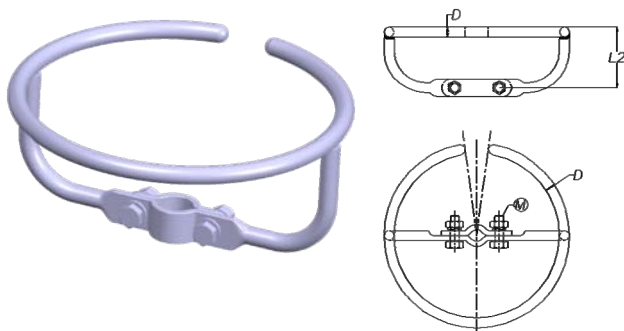
No. 7, Maryam Alley, Hakim Highway, Tehran-Iran ■ Postal Code: 1473666751

Tel: (+9821) 44003214-6 ■ Fax: (+9821) 44003217

Email: Info@AldaCompany.com

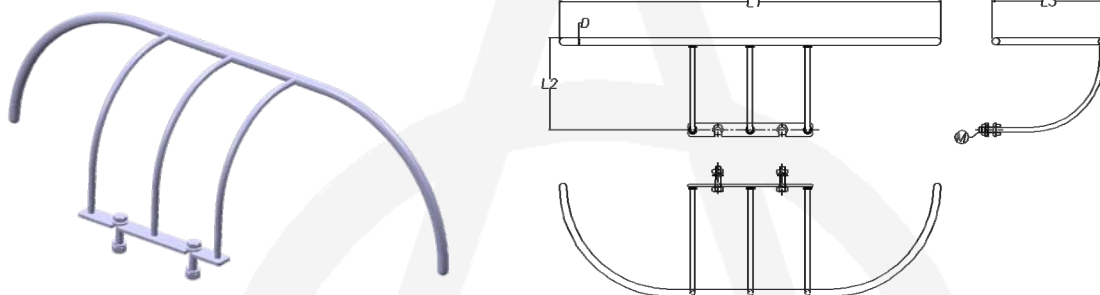
STEEL ARCING DEVICES

Arcing Rings Type 1



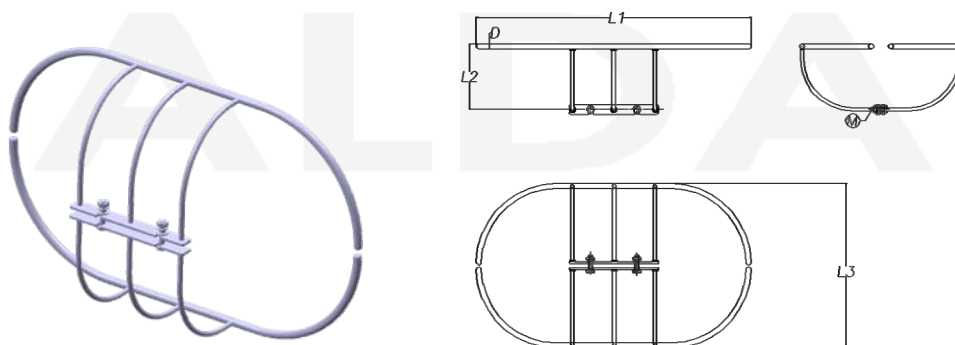
No.	Part No.	Dimensions (mm)			M	Weight (Kg)
		L1	L2	D		
1	AH.13.39.ST.X	300	120	16	12	2.33

Arcing Rings Type 2



No.	Part No.	Dimensions (mm)				M	Weight (Kg)
		L1	L2	L3	D		
1	AH.83.20.1.ST	830	200	247	16	12	2.92

Arcing Rings Type 3



No.	Part No.	Dimensions (mm)				M	Weight (Kg)
		L1	L2	L3	D		
1	AH.83.20.ST	830	200	500	16	12	5.8

ALDA MANUFACTURING CO.

No. 7, Maryam Alley, Hakim Highway, Tehran-Iran ■ Postal Code: 1473666751

Tel: (+9821) 44003214-6 ■ Fax: (+9821) 44003217

Email: Info@AldaCompany.com