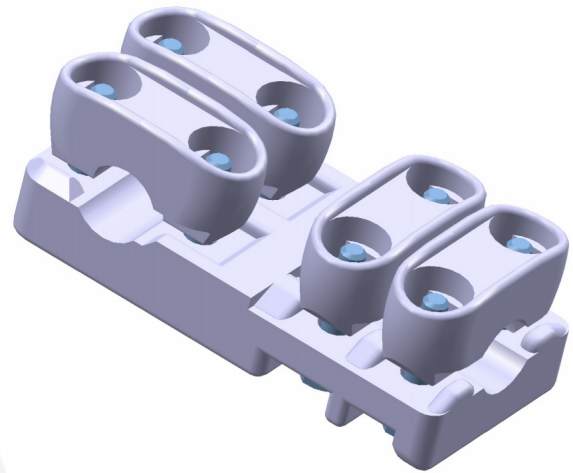
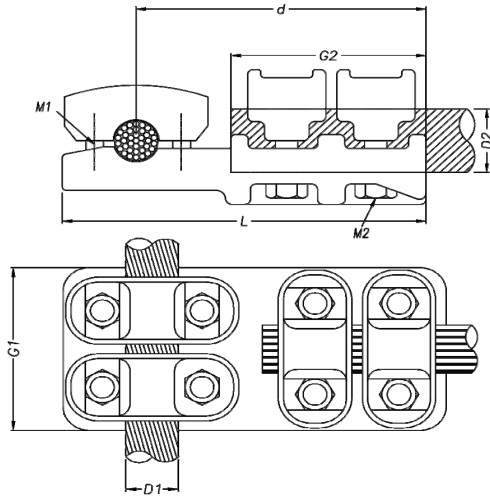


TEE CONNECTORS

ALDA

Cable to cable, 230kV



No.	PART No.	Dimensions in mm							
		Φ Conductor D1	Φ Conductor D2	G1	G2	d	M1	M2	L
1	C15T30	11-16	26-31	68	83	111	8	10	160
2	C20T20	16-21	16-21	68	74	111	8	8	145
3	C20T25	16-21	21-26	68	74	111	8	8	145
4	C20T30	16-21	26-31	68	83	127	8	10	160
5	C20T35	16-21	31-36	68	83	127	8	10	160
6	C20T40	16-21	36-41	68	92	135	8	12	160
7	C20T45	16-21	41-46	68	92	135	8	12	160
8	C25T25	21-26	21-26	68	74	111	8	8	145
9	C25T30	21-26	26-31	68	83	127	8	10	160
10	C25T35	21-26	31-36	68	83	127	8	10	160
11	C25T40	21-26	36-41	68	92	135	8	12	135
12	C25T45	21-26	41-46	68	92	135	8	12	135
13	C30T15	26-31	11-16	84	74	130	10	8	170
14	C30T20	26-31	16-21	84	74	130	10	10	170
15	C30T25	26-31	21-26	84	74	130	10	8	170
16	C30T30	26-31	26-31	84	83	145	10	10	185
17	C30T35	26-31	31-36	84	83	145	10	10	185
18	C30T40	26-31	36-41	84	92	145	12	10	185
19	C30T45	26-31	41-46	84	92	145	12	10	185
20	C35T20	31-36	16-21	84	74	130	10	8	170
21	C35T25	31-36	21-26	84	74	130	10	8	170
22	C35T30	31-36	26-31	102	83	145	10	10	185
23	C35T35	31-36	31-36	102	83	145	10	10	185
24	C35T40	31-36	36-41	102	83	145	12	10	200
25	C35T45	31-36	41-46	102	92	145	12	10	185
26	C40T10	36-41	6-11	102	83	145	12	10	200
27	C40T15	36-41	11-16	102	83	145	12	10	200
28	C40T20	36-41	16-21	102	83	145	15	10	200
29	C40T25	36-41	21-26	102	83	145	12	10	200
30	C40T30	36-41	26-31	102	83	145	12	10	200
31	C40T35	36-41	31-36	102	83	145	12	10	200
32	C40T40	36-41	36-41	102	92	160	12	12	200
33	C40T45	36-41	41-46	102	92	160	12	12	200
34	C45T35	41-46	31-36	102	83	145	12	10	200
35	C45T30	41-46	26-31	102	83	145	12	10	200
36	C45T35	41-46	31-36	102	83	145	12	10	200
37	C45T40	41-46	36-41	102	92	160	12	12	200
38	C45T45	41-46	41-46	102	92	160	12	12	200

Bimetal (Aluminum- Copper) sheets shall be provided whenever the connector is used for copper terminals.

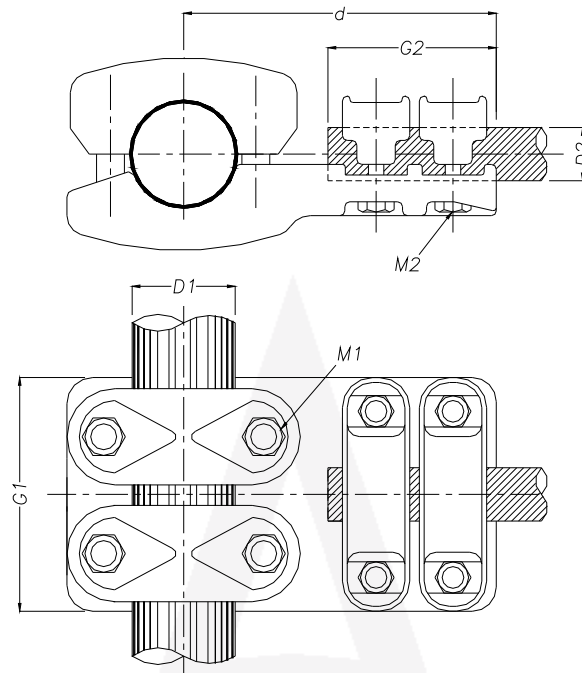
ALDA MANUFACTURING CO.

No. 7, Maryam Alley, Hakim Highway, Tehran-Iran ■ Postal Code: 1473666751

Tel: (+9821) 44003214-6 ■ Fax: (+9821) 44003217

Email: Info@AldaCompany.com

Tube to cable, 230kV



No.	PART No.	Dimensions in mm							
		Φ Tube D1	Φ Conductor D2	G1	G2	d	M1	M2	L
1	C50T15	50	11-16	96	83	163	12	10	205
2	C50T20	50	16-20	96	83	150	12	10	205
3	C50T30	50	26-31	96	83	150	12	10	205
4	C50T35	50	31-36	96	83	150	12	10	205
5	C50T40	50	36-41	96	83	163	12	12	205
6	C60T15	60	11-16	96	83	163	12	10	205
7	C60T20	60	16-21	96	83	163	12	10	205
8	C60T25	60	21-26	96	83	163	12	10	205
9	C60T30	60	26-31	96	83	163	12	10	205
10	C60T35	60	31-36	96	83	175	12	12	205
11	C60T40	60	36-41	96	83	175	12	12	205
12	C60T45	60	41-46	96	83	175	12	12	205
13	C65T30	65	26-31	96	83	163	12	10	205
14	C65T40	65	36-41	96	83	175	12	12	205
15	C80T10	80	6-11	96	83	163	12	10	205
16	C80T15	80	11-16	96	83	163	12	10	205
17	C80T20	80	16-21	96	83	163	12	10	205
18	C80T25	80	21-26	96	83	163	12	10	205
19	C80T30	80	26-31	96	83	163	12	10	205
20	C80T35	80	31-36	96	83	163	12	10	205

See the next page

Bimetal (Aluminum- Copper) sheets shall be provided whenever the connector is used for copper terminals.

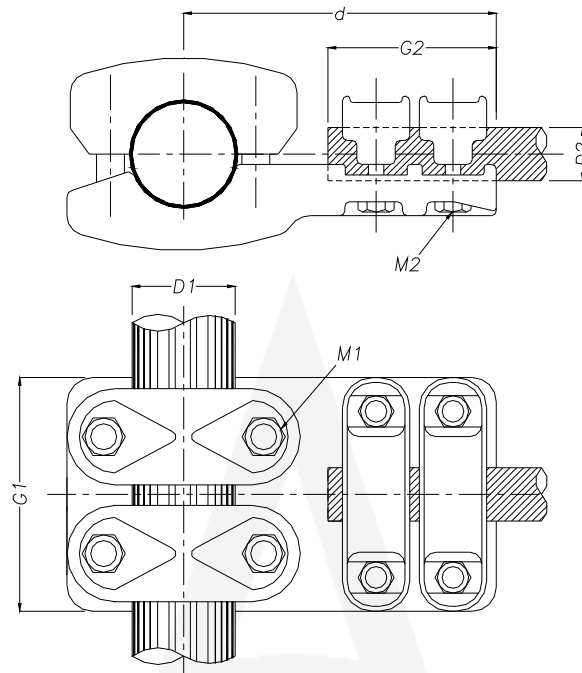
ALDA MANUFACTURING CO.

No. 7, Maryam Alley, Hakim Highway, Tehran-Iran ■ Postal Code: 1473666751

Tel: (+9821) 44003214-6 ■ Fax: (+9821) 44003217

Email: Info@AldaCompany.com

Tube to cable, 230kV



No.	PART No.	Dimensions in mm						
		Φ Tube D1	Φ Conductor D2	G1	G2	d	M1	M2
21	C80T40	80	36-41	98	83	172	12	12
22	C80T45	80	41-45	98	83	172	12	12
23	C85T35	85	31-36	90	83	169	12	10
24	C100T15	100	11-16	90	83	169	12	10
25	C100T20	100	16-21	90	83	169	12	10
26	C100T25	100	21-26	90	83	169	12	10
27	C100T30	100	26-31	90	83	169	12	10
28	C100T35	100	31-36	90	83	169	12	10
29	C100T40	100	36-41	98	96	196	12	12
30	C100T45	100	41-46	98	96	196	12	12
31	C120T20	120	16-21	98	96	202	12	12
32	C120T30	120	26-31	98	96	202	12	12
33	C120T35	120	31-36	98	96	202	12	12
34	C120T40	120	36-41	98	96	202	12	12
35	C120T45	120	41-46	98	96	202	12	12
36	C150T30	150	26-31	114	83	202	14	12
37	C160T30	160	26-31	114	83	202	14	12
38	C160T40	160	36-41	114	83	202	14	12
39	C200T30	200	26-31	170	96	202	14	12
40	C200T35	200	31-36	170	96	202	14	12
41	C200T40	200	36-41	170	96	202	14	12
42	C200T45	200	41-46	170	96	202	14	12
43	C250T30	250	26-31	170	96	202	14	12

Bimetal (Aluminum- Copper) sheets shall be provided whenever the connector is used for copper terminals.

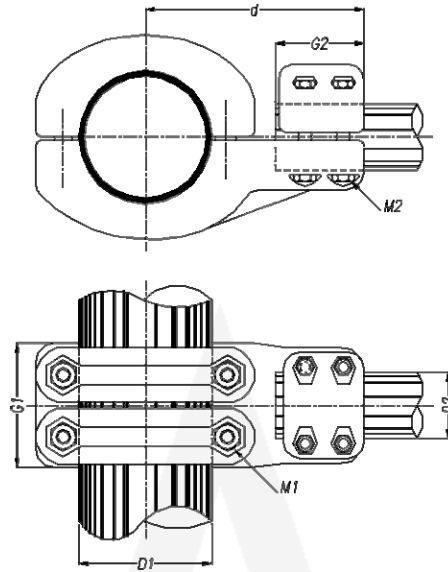
ALDA MANUFACTURING CO.

No. 7, Maryam Alley, Hakim Highway, Tehran-Iran ■ Postal Code: 1473666751

Tel: (+9821) 44003214-6 ■ Fax: (+9821) 44003217

Email: Info@AldaCompany.com

Tube to tube, 230kV & 400kV



No.	PART No.	Dimensions in mm						
		Φ Tube D1	Φ Tube D2	G1	G2	d	M1	M2
1	C50T50	50	50	92	96	158	12	12
2	C50T60	50	60	92	96	158	12	12
3	C80T60	80	60	102	104	200	12	12
4	C80T80	80	80	102	104	200	12	12
5	C90T100	90	100	110	96	185	12	12
6	C100T50	100	50	110	96	185	12	12
7	C100T60	100	60	110	96	218	12	12
8	C100T80	100	80	110	104	185	12	12
9	C100T100	100	100	110	104	185	12	12
10	C120T50	120	50	110	96	218	12	12
11	C120T60	120	60	110	96	218	12	12
12	C120T100	120	100	110	96	185	12	12
13	C120T120	120	120	110	96	185	12	12
14	C120T160	120	160	110	104	235	12	12
15	C152T100	152	100	110	96	235	12	12
16	C160T50	160	50	110	96	218	12	12
17	C160T60	160	60	110	96	218	12	12
18	C160T80	160	80	110	96	235	12	12
19	C160T100	160	100	110	96	235	12	12
20	C160T160	160	160	110	104	235	12	12

Bimetal (Aluminum- Copper) sheets shall be provided whenever the connector is used for copper terminals.

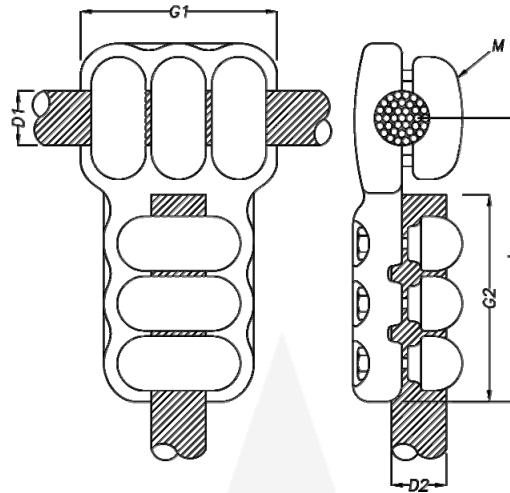
ALDA MANUFACTURING CO.

No. 7, Maryam Alley, Hakim Highway, Tehran-Iran ■ Postal Code: 1473666751

Tel: (+9821) 44003214-6 ■ Fax: (+9821) 44003217

Email: Info@AldaCompany.com

Cable to cable, 400kV



No.	PART No.	Dimensions in mm					
		Φ Conductor D1	Φ Conductor D2	G1	G2	d	M
1	E 196 T 196	18.0- 19.6	18.0- 19.6	120	115	167	10
2	E 196 T 214	18.0- 19.6	19.7- 21.4	120	115	167	10
3	E 196 T 229	18.0- 19.6	21.5- 22.9	120	115	167	10
4	E 196 T 244	18.0- 19.6	23.0- 24.4	120	115	167	10
5	E 196 T 260	18.0- 19.6	24.5- 26.0	120	115	167	10
6	E 196 T 280	18.0- 19.6	26.1- 28.0	120	115	167	10
7	E 196 T 300	18.0- 19.6	28.1- 30.0	120	115	167	10
8	E 196 T 322	18.0- 19.6	30.1- 32.2	120	115	167	10
9	E 196 T 335	18.0- 19.6	32.3- 33.5	120	115	167	10
10	E 196 T 350	18.0- 19.6	33.6- 35.0	120	115	167	10
11	E 196 T 361	18.0- 19.6	35.1- 36.1	120	115	167	10
12	E 196 T 383	18.0- 19.6	36.2- 38.3	120	115	167	10
13	E 196 T 400	18.0- 19.6	38.4- 40.0	120	115	167	10
14	E 196 T 415	18.0- 19.6	40.1- 41.5	120	115	167	10
15	E 214 T 196	19.7- 21.4	18.0- 19.6	120	115	167	10
16	E 214 T 214	19.7- 21.4	19.7- 21.4	120	115	167	10
17	E 214 T 229	19.7- 21.4	21.5- 22.9	120	115	167	10
18	E 214 T 244	19.7- 21.4	23.0- 24.4	120	115	167	10
19	E 214 T 260	19.7- 21.4	24.5- 26.0	120	115	167	10
20	E 214 T 280	19.7- 21.4	26.1- 28.0	120	115	167	10
21	E 214 T 300	19.7- 21.4	28.1- 30.0	120	115	167	10
22	E 214 T 322	19.7- 21.4	30.1- 32.2	120	115	167	10
23	E 214 T 335	19.7- 21.4	32.3- 33.5	120	115	167	10
24	E 214 T 350	19.7- 21.4	33.6- 35.0	120	115	167	10
25	E 214 T 361	19.7- 21.4	35.1- 36.1	120	115	167	10
26	E 214 T 383	19.7- 21.4	36.2- 38.3	120	115	167	10
27	E 214 T 400	19.7- 21.4	38.4- 40.0	120	115	167	10
28	E 214 T 415	19.7- 21.4	40.1- 41.5	120	115	167	10
29	E 229 T 196	21.5- 22.9	18.0- 19.6	120	115	167	10
30	E 229 T 214	21.5- 22.9	19.7- 21.4	120	115	167	10
31	E 229 T 229	21.5- 22.9	21.5- 22.9	120	115	167	10
32	E 229 T 244	21.5- 22.9	23.0- 24.4	120	115	167	10
33	E 229 T 260	21.5- 22.9	24.5- 26.0	120	115	167	10

See the next page

Bimetal (Aluminum- Copper) sheets shall be provided whenever the connector is used for copper terminals.

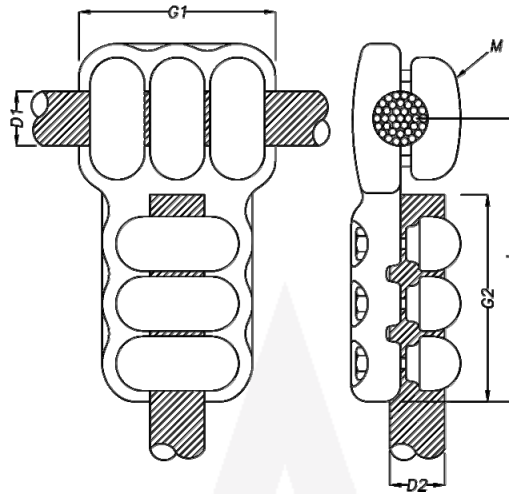
ALDA MANUFACTURING CO.

No. 7, Maryam Alley, Hakim Highway, Tehran-Iran ■ Postal Code: 1473666751

Tel: (+9821) 44003214-6 ■ Fax: (+9821) 44003217

Email: Info@AldaCompany.com

Cable to cable, 400kV



No.	PART No.	Dimensions in mm					
		Φ Conductor D1	Φ Conductor D2	G1	G2	d	M
34	E 229 T 280	21.5- 22.9	26.1- 28.0	120	115	167	10
35	E 229 T 300	21.5- 22.9	28.1- 30.0	120	115	167	10
36	E 229 T 322	21.5- 22.9	30.1- 32.2	120	115	167	10
37	E 229 T 335	21.5- 22.9	32.3- 33.5	120	115	167	10
38	E 229 T 350	21.5- 22.9	33.6- 35.0	120	115	167	10
39	E 229 T 361	21.5- 22.9	35.1- 36.1	120	115	167	10
40	E 229 T 383	21.5- 22.9	36.2- 38.3	120	115	167	10
41	E 229 T 400	21.5- 22.9	38.4- 40.0	120	115	167	10
42	E 229 T 415	21.5- 22.9	40.1- 41.5	120	115	167	10
43	E 244 T 196	23.0- 24.4	18.0- 19.6	120	115	167	10
44	E 244 T 214	23.0- 24.4	19.7- 21.4	120	115	167	10
45	E 244 T 229	23.0- 24.4	21.5- 22.9	120	115	167	10
46	E 244 T 244	23.0- 24.4	23.0- 24.4	120	115	167	10
47	E 244 T 260	23.0- 24.4	24.5- 26.0	120	115	167	10
48	E 244 T 280	23.0- 24.4	26.1- 28.0	120	115	167	10
49	E 244 T 300	23.0- 24.4	28.1- 30.0	120	115	167	10
50	E 244 T 322	23.0- 24.4	30.1- 32.2	120	115	167	10
51	E 244 T 335	23.0- 24.4	32.3- 33.5	120	115	167	10
52	E 244 T 350	23.0- 24.4	33.6- 35.0	120	115	167	10
53	E 244 T 361	23.0- 24.4	35.1- 36.1	120	115	167	10
54	E 244 T 383	23.0- 24.4	36.2- 38.3	120	115	167	10
55	E 244 T 400	23.0- 24.4	38.4- 40.0	120	115	167	10
56	E 244 T 415	23.0- 24.4	40.1- 41.5	120	115	167	10
57	E 260 T 196	24.5- 26.0	18.0- 19.6	120	115	167	10
58	E 260 T 214	24.5- 26.0	19.7- 21.4	120	115	167	10
59	E 260 T 229	24.5- 26.0	21.5- 22.9	120	115	167	10
60	E 260 T 244	24.5- 26.0	23.0- 24.4	120	115	167	10
61	E 260 T 260	24.5- 26.0	24.5- 26.0	120	115	167	10
62	E 260 T 280	24.5- 26.0	26.1- 28.0	120	115	167	10
63	E 260 T 300	24.5- 26.0	28.1- 30.0	120	115	167	10
64	E 260 T 322	24.5- 26.0	30.1- 32.2	120	115	167	10
65	E 260 T 335	24.5- 26.0	32.3- 33.5	120	115	167	10
66	E 260 T 350	24.5- 26.0	33.6- 35.0	120	115	167	10

See the next page

Bimetal (Aluminum- Copper) sheets shall be provided whenever the connector is used for copper terminals.

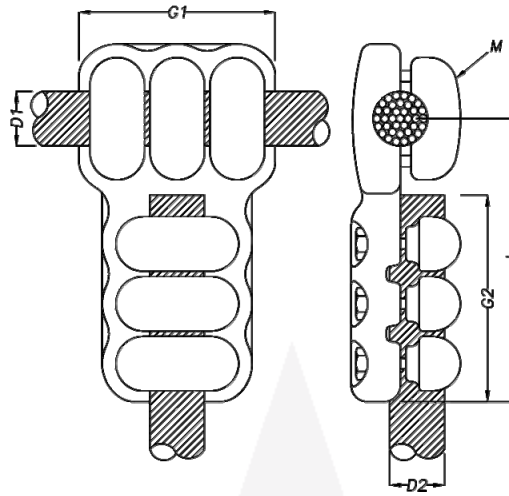
ALDA MANUFACTURING CO.

No. 7, Maryam Alley, Hakim Highway, Tehran-Iran ■ Postal Code: 1473666751

Tel: (+9821) 44003214-6 ■ Fax: (+9821) 44003217

Email: Info@AldaCompany.com

Cable to cable, 400 kV



No.	PART No.	Dimensions in mm					
		Φ Conductor D1	Φ Conductor D2	G1	G2	d	M
67	E 260 T 361	24.5- 26.0	35.1- 36.1	120	115	167	10
68	E 260 T 383	24.5- 26.0	36.2- 38.3	120	115	167	10
69	E 260 T 400	24.5- 26.0	38.4- 40.0	120	115	167	10
70	E 260 T 415	24.5- 26.0	40.1- 41.5	120	115	167	10
71	E 280 T 196	26.1- 28.0	18.0- 19.6	120	115	167	10
72	E 280 T 214	26.1- 28.0	19.7- 21.4	120	115	167	10
73	E 280 T 229	26.1- 28.0	21.5- 22.9	120	115	167	10
74	E 280 T 244	26.1- 28.0	23.0- 24.4	120	115	167	10
75	E 280 T 260	26.1- 28.0	24.5- 26.0	120	115	167	10
76	E 280 T 280	26.1- 28.0	26.1- 28.0	120	115	167	10
77	E 280 T 300	26.1- 28.0	28.1- 30.0	120	115	167	10
78	E 280 T 322	26.1- 28.0	30.1- 32.2	120	115	167	10
79	E 280 T 335	26.1- 28.0	32.3- 33.5	120	115	167	10
80	E 280 T 350	26.1- 28.0	33.6- 35.0	120	115	167	10
81	E 280 T 361	26.1- 28.0	35.1- 36.1	120	115	167	10
82	E 280 T 383	26.1- 28.0	36.2- 38.3	120	115	167	10
83	E 280 T 400	26.1- 28.0	38.4- 40.0	120	115	167	10
84	E 280 T 415	26.1- 28.0	40.1- 41.5	120	115	167	10
85	E 300 T 196	28.1- 30.0	18.0- 19.6	120	115	167	10
86	E 300 T 214	28.1- 30.0	19.7- 21.4	120	115	167	10
87	E 300 T 229	28.1- 30.0	21.5- 22.9	120	115	167	10
88	E 300 T 244	28.1- 30.0	23.0- 24.4	120	115	167	10
89	E 300 T 260	28.1- 30.0	24.5- 26.0	120	115	167	10
90	E 300 T 280	28.1- 30.0	26.1- 28.0	120	115	167	10
91	E 300 T 300	28.1- 30.0	28.1- 30.0	120	115	167	10
92	E 300 T 322	28.1- 30.0	30.1- 32.2	120	115	167	10
93	E 300 T 335	28.1- 30.0	32.3- 33.5	120	115	167	10
94	E 300 T 350	28.1- 30.0	33.6- 35.0	120	115	167	10
95	E 300 T 361	28.1- 30.0	35.1- 36.1	120	115	167	10
96	E 300 T 383	28.1- 30.0	36.2- 38.3	120	115	167	10
97	E 300 T 400	28.1- 30.0	38.4- 40.0	120	115	167	10
98	E 300 T 415	28.1- 30.0	40.1- 41.5	120	115	167	10
99	E 322 T 196	30.1- 32.2	18.0- 19.6	120	115	167	10

See the next page

Bimetal (Aluminum- Copper) sheets shall be provided whenever the connector is used for copper terminals.

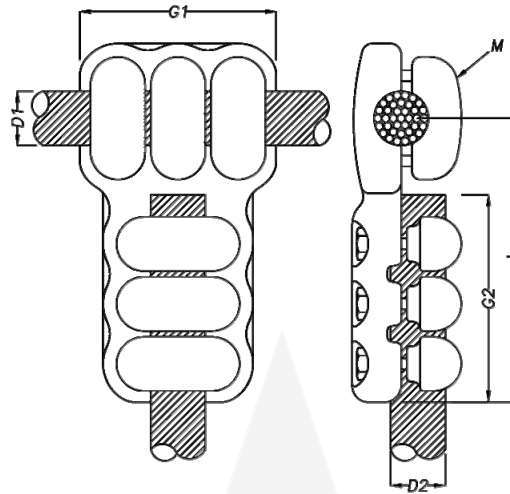
ALDA MANUFACTURING CO.

No. 7, Maryam Alley, Hakim Highway, Tehran-Iran ■ Postal Code: 1473666751

Tel: (+9821) 44003214-6 ■ Fax: (+9821) 44003217

Email: Info@AldaCompany.com

Cable to cable, 400kV



No.	PART No.	Dimensions in mm					
		Φ Conductor D1	Φ Conductor D2	G1	G2	d	M
100	E 322 T 214	30.1- 32.2	19.7- 21.4	120	115	167	10
101	E 322 T 229	30.1- 32.2	21.5- 22.9	120	115	167	10
102	E 322 T 244	30.1- 32.2	23.0- 24.4	120	115	167	10
103	E 322 T 260	30.1- 32.2	24.5- 26.0	120	115	167	10
104	E 322 T 280	30.1- 32.2	26.1- 28.0	120	115	167	10
105	E 322 T 300	30.1- 32.2	28.1- 30.0	120	115	167	10
106	E 322 T 322	30.1- 32.2	30.1- 32.2	120	115	167	10
107	E 322 T 335	30.1- 32.2	32.3- 33.5	120	115	167	10
108	E 322 T 350	30.1- 32.2	33.6- 35.0	120	115	167	10
109	E 322 T 361	30.1- 32.2	35.1- 36.1	120	115	167	10
110	E 322 T 383	30.1- 32.2	36.2- 38.3	120	115	167	10
111	E 322 T 400	30.1- 32.2	38.4- 40.0	120	115	167	10
112	E 322 T 415	30.1- 32.2	40.1- 41.5	120	115	167	10
113	E 335 T 196	32.3- 33.5	18.0- 19.6	120	115	167	10
114	E 335 T 214	32.3- 33.5	19.7- 21.4	120	115	167	10
115	E 335 T 229	32.3- 33.5	21.5- 22.9	120	115	167	10
116	E 335 T 244	32.3- 33.5	23.0- 24.4	120	115	167	10
117	E 335 T 260	32.3- 33.5	24.5- 26.0	120	115	167	10
118	E 335 T 280	32.3- 33.5	26.1- 28.0	120	115	167	10
119	E 335 T 300	32.3- 33.5	28.1- 30.0	120	115	167	10
120	E 335 T 322	32.3- 33.5	30.1- 32.2	120	115	167	10
121	E 335 T 335	32.3- 33.5	32.3- 33.5	120	115	167	10
122	E 335 T 350	32.3- 33.5	33.6- 35.0	120	115	167	10
123	E 335 T 361	32.3- 33.5	35.1- 36.1	120	115	167	10
124	E 335 T 383	32.3- 33.5	36.2- 38.3	120	115	167	10
125	E 335 T 400	32.3- 33.5	38.4- 40.0	120	115	167	10
126	E 335 T 415	32.3- 33.5	40.1- 41.5	120	115	167	10
127	E 350 T 196	33.6- 35.0	18.0- 19.6	120	115	167	10
128	E 350 T 214	33.6- 35.0	19.7- 21.4	120	115	167	10
129	E 350 T 229	33.6- 35.0	21.5- 22.9	120	115	167	10
130	E 350 T 244	33.6- 35.0	23.0- 24.4	120	115	167	10
131	E 350 T 260	33.6- 35.0	24.5- 26.0	120	115	167	10
132	E 350 T 280	33.6- 35.0	26.1- 28.0	120	115	167	10

See the next page

Bimetal (Aluminum- Copper) sheets shall be provided whenever the connector is used for copper terminals.

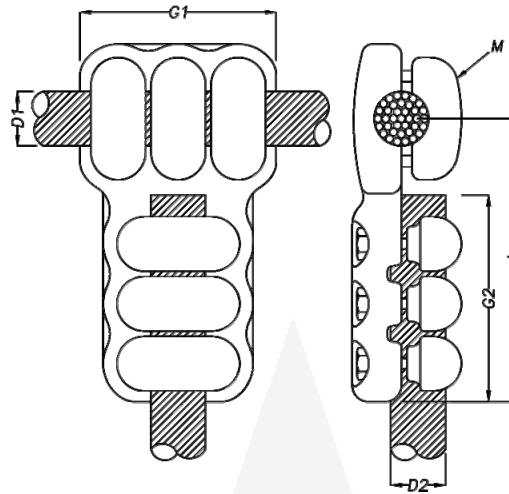
ALDA MANUFACTURING CO.

No. 7, Maryam Alley, Hakim Highway, Tehran-Iran ■ Postal Code: 1473666751

Tel: (+9821) 44003214-6 ■ Fax: (+9821) 44003217

Email: Info@AldaCompany.com

Cable to cable, 400kV



No.	PART No.	Dimensions in mm					
		Φ Conductor D1	Φ Conductor D2	G1	G2	d	M
133	E 350 T 300	33.6- 35.0	28.1- 30.0	120	115	167	10
134	E 350 T 322	33.6- 35.0	30.1- 32.2	120	115	167	10
135	E 350 T 335	33.6- 35.0	32.3- 33.5	120	115	167	10
136	E 350 T 350	33.6- 35.0	33.6- 35.0	120	115	167	10
137	E 350 T 361	33.6- 35.0	35.1- 36.1	120	115	167	10
138	E 350 T 383	33.6- 35.0	36.2- 38.3	120	115	167	10
139	E 350 T 400	33.6- 35.0	38.4- 40.0	120	115	167	10
140	E 350 T 415	33.6- 35.0	40.1- 41.5	120	115	167	10
141	E 361 T 196	35.1- 36.1	18.0- 19.6	120	115	167	10
142	E 361 T 214	35.1- 36.1	19.7- 21.4	120	115	167	10
143	E 361 T 229	35.1- 36.1	21.5- 22.9	120	115	167	10
144	E 361 T 244	35.1- 36.1	23.0- 24.4	120	115	167	10
145	E 361 T 260	35.1- 36.1	24.5- 26.0	120	115	167	10
146	E 361 T 280	35.1- 36.1	26.1- 28.0	120	115	167	10
147	E 361 T 300	35.1- 36.1	28.1- 30.0	120	115	167	10
148	E 361 T 322	35.1- 36.1	30.1- 32.2	120	115	167	10
149	E 361 T 335	35.1- 36.1	32.3- 33.5	120	115	167	10
150	E 361 T 350	35.1- 36.1	33.6- 35.0	120	115	167	10
151	E 361 T 361	35.1- 36.1	35.1- 36.1	120	115	167	10
152	E 361 T 383	35.1- 36.1	36.2- 38.3	120	115	167	10
153	E 361 T 400	35.1- 36.1	38.4- 40.0	120	115	167	10
154	E 361 T 415	35.1- 36.1	40.1- 41.5	120	115	167	10
155	E 383 T 196	36.2- 38.3	18.0- 19.6	120	115	167	10
156	E 383 T 214	36.2- 38.3	19.7- 21.4	120	115	167	10
157	E 383 T 229	36.2- 38.3	21.5- 22.9	120	115	167	10
158	E 383 T 244	36.2- 38.3	23.0- 24.4	120	115	167	10
159	E 383 T 260	36.2- 38.3	24.5- 26.0	120	115	167	10
160	E 383 T 280	36.2- 38.3	26.1- 28.0	120	115	167	10
161	E 383 T 300	36.2- 38.3	28.1- 30.0	120	115	167	10
162	E 383 T 322	36.2- 38.3	30.1- 32.2	120	115	167	10
163	E 383 T 335	36.2- 38.3	32.3- 33.5	120	115	167	10
164	E 383 T 350	36.2- 38.3	33.6- 35.0	120	115	167	10
165	E 383 T 361	36.2- 38.3	35.1- 36.1	120	115	167	10

See the next page

Bimetal (Aluminum- Copper) sheets shall be provided whenever the connector is used for copper terminals.

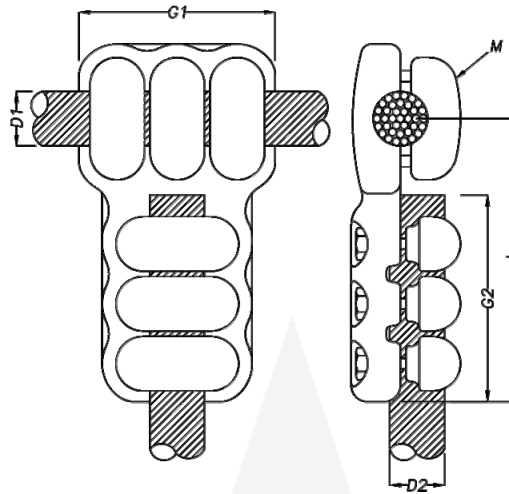
ALDA MANUFACTURING CO.

No. 7, Maryam Alley, Hakim Highway, Tehran-Iran ■ Postal Code: 1473666751

Tel: (+9821) 44003214-6 ■ Fax: (+9821) 44003217

Email: Info@AldaCompany.com

Cable to cable, 400kV



No.	PART No.	Dimensions in mm					
		Φ Conductor D1	Φ Conductor D2	G1	G2	d	M
166	E 383 T 383	36.2- 38.3	36.2- 38.3	120	115	167	10
167	E 383 T 400	36.2- 38.3	38.4- 40.0	120	115	167	10
168	E 383 T 415	36.2- 38.3	40.1- 41.5	120	115	167	10
169	E 400 T 196	38.4- 40.0	18.0- 19.6	120	115	167	10
170	E 400 T 214	38.4- 40.0	19.7- 21.4	120	115	167	10
171	E 400 T 229	38.4- 40.0	21.5- 22.9	120	115	167	10
172	E 400 T 244	38.4- 40.0	23.0- 24.4	120	115	167	10
173	E 400 T 260	38.4- 40.0	24.5- 26.0	120	115	167	10
174	E 400 T 280	38.4- 40.0	26.1- 28.0	120	115	167	10
175	E 400 T 300	38.4- 40.0	28.1- 30.0	120	115	167	10
176	E 400 T 322	38.4- 40.0	30.1- 32.2	120	115	167	10
177	E 400 T 335	38.4- 40.0	32.3- 33.5	120	115	167	10
178	E 400 T 350	38.4- 40.0	33.6- 35.0	120	115	167	10
179	E 400 T 361	38.4- 40.0	35.1- 36.1	120	115	167	10
180	E 400 T 383	38.4- 40.0	36.2- 38.3	120	115	167	10
181	E 400 T 400	38.4- 40.0	38.4- 40.0	120	115	167	10
182	E 400 T 415	38.4- 40.0	40.1- 41.5	120	115	167	10
183	E 415 T 196	40.1- 41.5	18.0- 19.6	120	115	167	10
184	E 415 T 214	40.1- 41.5	19.7- 21.4	120	115	167	10
185	E 415 T 229	40.1- 41.5	21.5- 22.9	120	115	167	10
186	E 415 T 244	40.1- 41.5	23.0- 24.4	120	115	167	10
187	E 415 T 260	40.1- 41.5	24.5- 26.0	120	115	167	10
188	E 415 T 280	40.1- 41.5	26.1- 28.0	120	115	167	10
189	E 415 T 300	40.1- 41.5	28.1- 30.0	120	115	167	10
190	E 415 T 322	40.1- 41.5	30.1- 32.2	120	115	167	10
191	E 415 T 335	40.1- 41.5	32.3- 33.5	120	115	167	10
192	E 415 T 350	40.1- 41.5	33.6- 35.0	120	115	167	10
193	E 415 T 361	40.1- 41.5	35.1- 36.1	120	115	167	10
194	E 415 T 383	40.1- 41.5	36.2- 38.3	120	115	167	10
195	E 415 T 400	40.1- 41.5	38.4- 40.0	120	115	167	10
196	E 415 T 415	40.1- 41.5	40.1- 41.5	120	115	167	10

Bimetal (Aluminum- Copper) sheets shall be provided whenever the connector is used for copper terminals.

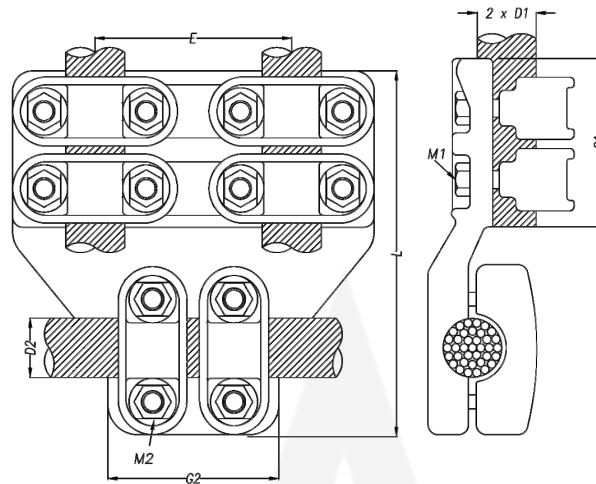
ALDA MANUFACTURING CO.

No. 7, Maryam Alley, Hakim Highway, Tehran-Iran ■ Postal Code: 1473666751

Tel: (+9821) 44003214-6 ■ Fax: (+9821) 44003217

Email: Info@AldaCompany.com

Double cable to cable, 230kV



No.	PART No.	Dimensions in mm							
		Φ Conductor D1	Φ Conductor D2	E	G1	G2	M1	M2	L
1	CDB15T30	11-16	26-31	100	85	88	8	10	183
2	CDB20T20	16-21	16-21	100	85	88	10	10	183
3	CDB20T40	16-21	36-41	100	85	88	10	12	183
4	CDB25T20	21-26	16-21	100	85	88	10	10	183
5	CDB25T30	21-26	26-31	100	94	112	10	10	214
6	CDB30T20	26-31	16-21	100	85	112	10	10	214
7	CDB30T25	26-31	21-26	100	94	112	10	10	214
8	CDB30T30	26-31	26-31	100	85	112	10	10	214
9	CDB35T30	31-36	26-31	105	94	112	12	10	214
10	CDB35T40	31-36	36-41	105	94	112	12	12	214
11	CDB40T20	36-41	16-21	105	85	112	12	10	214
12	CDB40T30	36-41	26-31	105	94	112	12	10	214
13	CDB40T40	36-41	36-41	105	94	112	12	12	214
14	CDB40T45	36-41	41-46	105	94	112	12	12	214
15	CDB45T30	41-46	26-31	105	94	112	12	10	214

ALDA

Bimetal (Aluminum- Copper) sheets shall be provided whenever the connector is used for copper terminals.

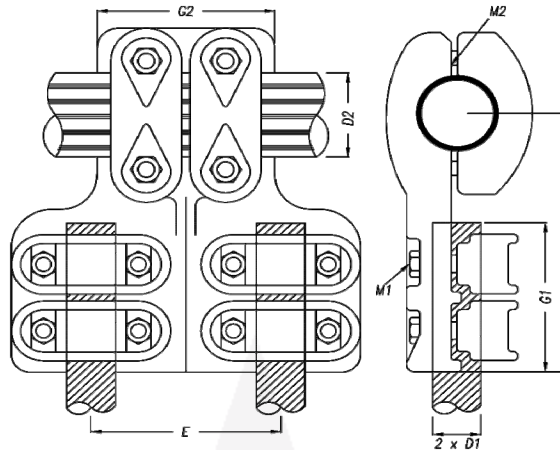
ALDA MANUFACTURING CO.

No. 7, Maryam Alley, Hakim Highway, Tehran-Iran ■ Postal Code: 1473666751

Tel: (+9821) 44003214-6 ■ Fax: (+9821) 44003217

Email: Info@AldaCompany.com

Double cable to tube, 230kV



No.	PART No.	Dimensions in mm						
		Φ Conductor D1	Φ Tube D2	E	G1	G2	M1	M2
1	CDB20T250	16-21	250	100	85	88	10	12
2	CDB20T80	16-21	80	100	85	88	10	12
3	CDB25T50	21-26	50	100	85	88	10	12
4	CDB25T80	21-26	80	100	85	88	10	12
5	CDB25T100	21-26	100	100	90	92	10	12
6	CDB25T113	21-26	113	100	90	92	10	12
7	CDB25T120	21-26	120	100	90	102	10	12
8	CDB30T50	26-31	50	100	85	88	10	12
9	CDB30T60	26-31	60	100	85	88	10	12
10	CDB30T65	26-31	65	100	85	88	10	12
11	CDB30T80	26-31	80	100	85	88	10	12
12	CDB30T90	26-31	90	100	90	92	12	12
13	CDB30T100	26-31	100	100	90	92	12	12
14	CDB30T120	26-31	120	100	90	102	10	12
15	CDB30T160	26-31	160	100	90	112	12	14
16	CDB30T200	26-31	200	100	90	112	14	14
17	CDB35T60	31-36	60	105	85	88	10	12
18	CDB35T80	31-36	80	105	85	88	12	10
19	CDB35T100	31-36	100	105	90	92	12	12
20	CDB35T120	31-36	120	105	90	102	10	12
21	CDB35T160	31-36	160	105	90	112	12	14
22	CDB35T200	31-36	200	105	90	112	12	14
23	CDB40T50	36-41	50	105	90	92	12	12
24	CDB40T60	36-41	60	105	90	92	12	12
25	CDB40T80	36-41	80	105	90	92	12	12
26	CDB40T100	36-41	100	105	90	92	12	12
27	CDB40T120	36-41	120	105	90	92	12	12
28	CDB40T150	36-41	150	105	85	98	12	14
29	CDB40T160	36-41	160	105	92	104	12	14
30	CDB40T200	36-41	200	105	90	112	12	14
31	CDB40T250	36-41	280	105	90	112	12	14
32	CDB45T50	41-46	50	105	90	92	12	12
33	CDB45T60	41-46	60	105	90	92	12	12
34	CDB45T80	41-46	80	105	90	92	12	12
35	CDB45T100	41-46	100	105	90	92	12	12
36	CDB45T120	41-46	120	105	90	92	12	12
37	CDB45T160	41-46	160	105	90	112	12	14
38	CDB45T200	41-46	200	105	90	112	12	14
39	CDB45T250	41-46	250	105	85	98	12	12

Bimetal (Aluminum- Copper) sheets shall be provided whenever the connector is used for copper terminals.

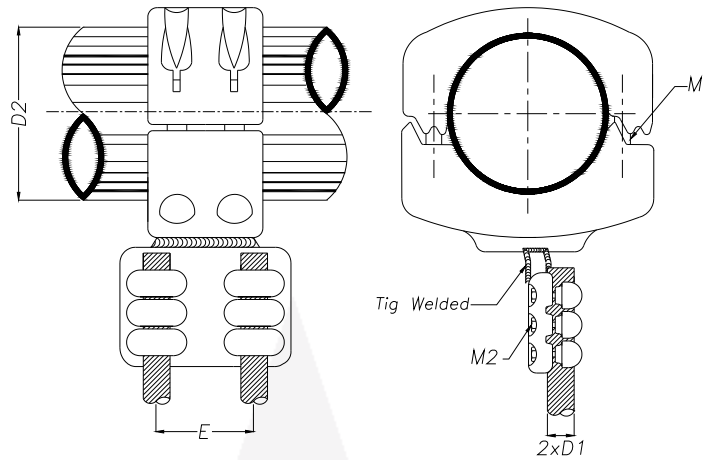
ALDA MANUFACTURING CO.

No. 7, Maryam Alley, Hakim Highway, Tehran-Iran ■ Postal Code: 1473666751

Tel: (+9821) 44003214-6 ■ Fax: (+9821) 44003217

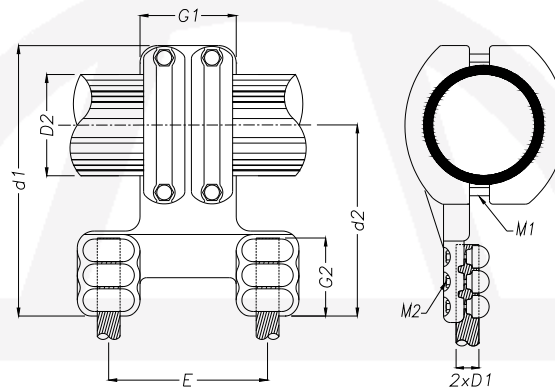
Email: Info@AldaCompany.com

**Double cable to tube, 400kV
Type 1**



No.	PART No.	Dimensions in mm				
		Φ Tube	Φ Conductor	M1	M2	E
		D1	D2			
1	EDB335T200	32.3-33.5	200	14	10	100
2	EDB383T250	36.2-38.3	250	14	10	100
3	EDB415T250	40.1-41.5	250	14	10	100

**Double cable to tube, 400kV
Type 2**



No.	PART No.	Dimensions in mm							
		Φ Tube	Φ Conductor	d1	G1	G2	M1	M2	E
		D1	D2						
1	EDY300T160	28.1-30.0	160	270	112	110	14	10	200
2	EDY300T200	28.1-30.0	200	270	112	110	14	10	200
3	EDY322T120	30.1-32.2	120	210	112	110	12	10	200
4	EDY335T250	32.3-33.5	250	270	112	110	14	10	200
5	EDY383T120	36.2-38.3	120	210	112	110	12	10	200
6	EDY383T160	36.2-38.3	160	270	112	110	14	10	200
7	EDY383T200	36.2-38.3	200	270	112	110	14	10	200
8	EDY383T250	36.2-38.3	250	270	112	110	14	10	200
9	EDY415T100	40.1-41.5	100	210	112	110	12	10	200
10	EDY415T120	40.1-41.5	120	210	112	110	12	10	200
11	EDY415T150	40.1-41.5	150	270	112	110	14	10	200
12	EDY415T160	40.1-41.5	160	270	112	110	14	10	200
13	EDY415T200	40.1-41.5	200	270	112	110	14	10	200
14	EDY415T250	40.1-41.5	250	270	112	110	14	10	200

Bimetal (Aluminum- Copper) sheets shall be provided whenever the connector is used for copper terminals.

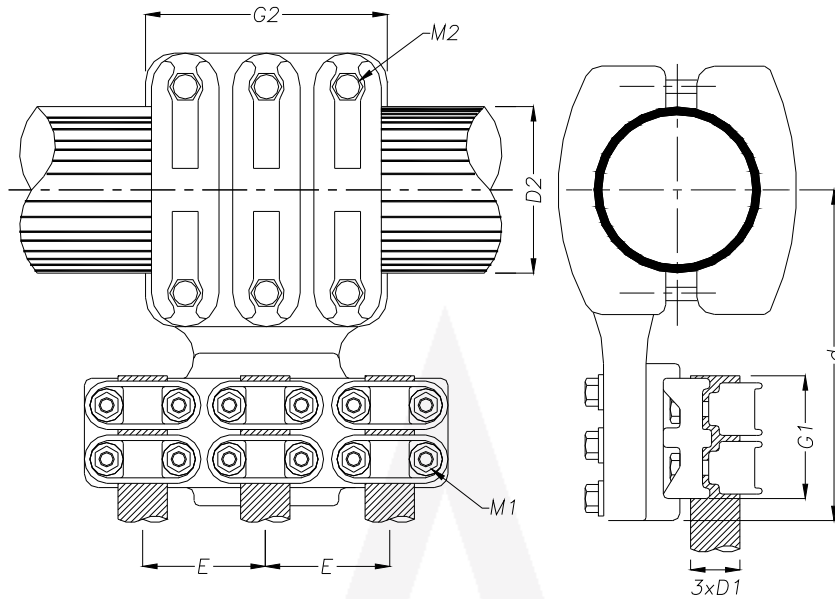
ALDA MANUFACTURING CO.

No. 7, Maryam Alley, Hakim Highway, Tehran-Iran ■ Postal Code: 1473666751

Tel: (+9821) 44003214-6 ■ Fax: (+9821) 44003217

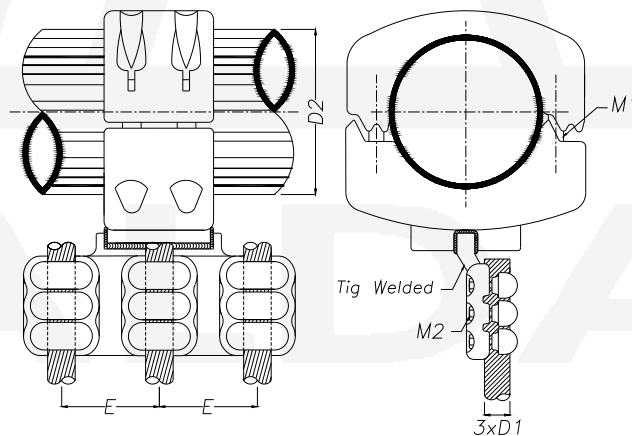
Email: Info@AldaCompany.com

Triple cable to tube, 230kV



No.	PART No.	Dimensions in mm							
		Φ Conductor D1	Φ Tube D2	E	G1	G2	d	M1	M2
1	CTB35T200	31-36	200	105	91	169	259	10	14
2	CTB40T100	36-41	100	105	91	92	205	12	14
3	CTB40T160	36-41	160	105	91	169	259	12	14
4	CTB40T200	36-41	200	105	91	169	259	12	14
5	CTB40T250	36-41	250	105	91	169	259	12	14

Triple cable to tube 400kV



No.	PART No.	Dimensions in mm				
		Φ Tube D1	Φ Conductor D2	M1	M2	E
1	ETB415T200	40.1-41.5	200	14	10	100
2	ETB415T250	40.1-41.5	250	14	12	100

Bimetal (Aluminum- Copper) sheets shall be provided whenever the connector is used for copper terminals.

ALDA MANUFACTURING CO.

No. 7, Maryam Alley, Hakim Highway, Tehran-Iran ■ Postal Code: 1473666751

Tel: (+9821) 44003214-6 ■ Fax: (+9821) 44003217

Email: Info@AldaCompany.com