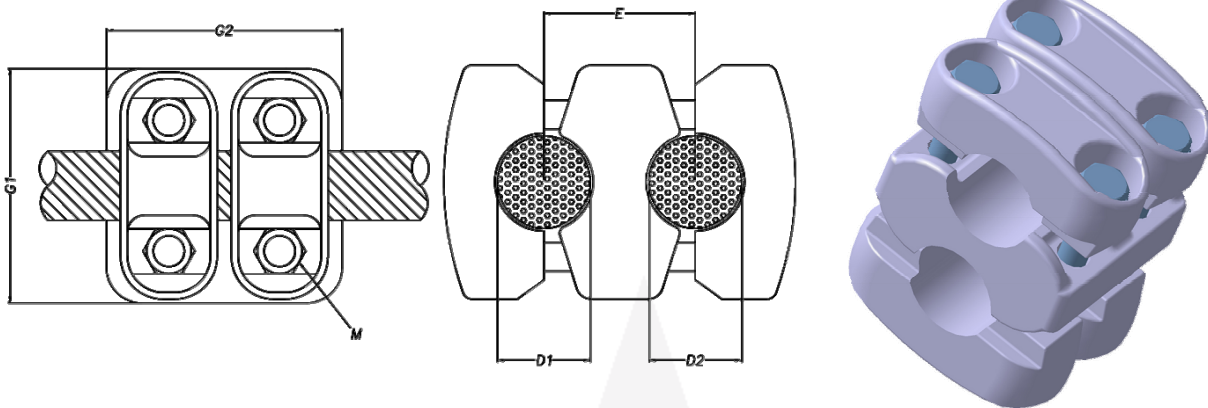


PARALLEL CLAMPS



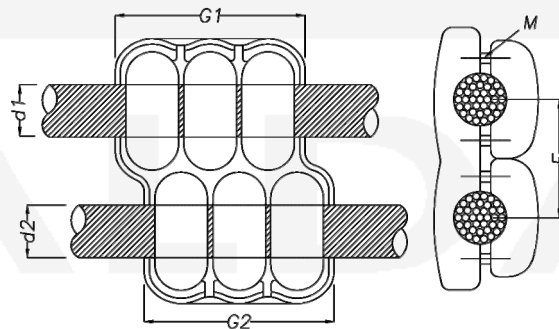
ALDA

Cable to cable, 230kV



No.	PART No.	Dimensions in mm					
		Φ conductor D1	Φ conductor D2	G1	G2	E	Bolt M
1	C15K15	11-16	11-16	84	83	55	10
2	C20K20	16-21	16-21	84	83	55	10
3	C20K30	16-21	26-31	84	83	55	10
4	C25K25	21-26	21-26	84	83	55	10
5	C25K30	21-26	26-31	84	83	55	10
6	C25K35	21-26	31-36	84	83	55	10
7	C30K15	26-31	11-16	84	83	55	10
8	C30K30	26-31	26-31	84	83	55	10
9	C35K35	31-36	31-36	84	83	55	10
10	C40K30	36-41	26-31	102	83	58	12
11	C40K40	36-41	36-41	102	83	58	12
12	C45K20	41-46	16-21	102	83	58	12
13	C45K30	41-46	26-31	102	83	58	12
14	C45K45	41-46	41-46	102	83	58	12

Cable to cable, 400kV



No.	PART No.	Dimensions in mm					
		Φ conductor d1	Φ conductor d2	G1	G2	E	Bolt M
1	E322PG322	30.1-32.2	30.1-32.2	120	120	75	10
2	E322PG415	30.1-32.2	40.1-41.5	120	120	75	10
3	E335PG335	32.3-33.5	32.3-33.5	120	120	75	10
4	E383PG383	36.2-38.3	36.2-38.3	120	120	75	10
5	E415PG415	40.1-41.5	40.1-41.5	120	120	75	10

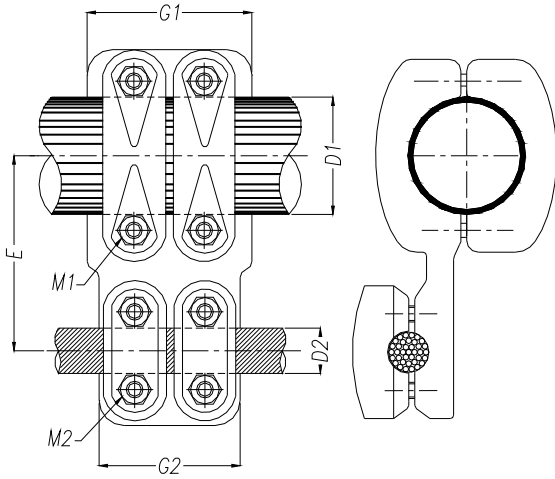
ALDA MANUFACTURING CO.

No. 7, Maryam Alley, Hakim Highway, Tehran-Iran ■ Postal Code: 1473666751

Tel: (+9821) 44003214-6 ■ Fax: (+9821) 44003217

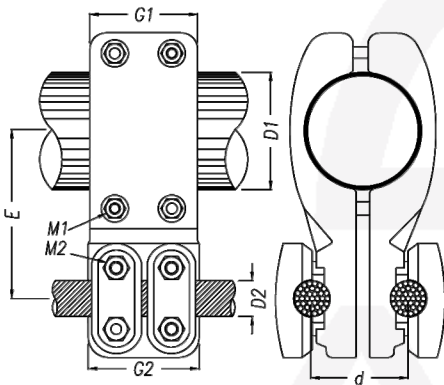
Email: Info@AldaCompany.com

Tube to cable, 230kV



No.	PART No.	Dimensions in mm						
		Φ Tube	Φ conductor	G1	G2	E	Bolt	
		D1	D2				M1	M2
1	C50Q30	50	26-31	99	83	154	12	12
2	C60Q35	60	31-36	99	83	154	12	12
3	C65Q30	65	26-31	99	83	154	12	12
4	C80Q20	80	16-21	99	83	154	12	12
5	C80Q25	80	21-26	99	83	154	12	12
6	C80Q30	80	26-31	99	83	154	12	12
7	C80Q35	80	31-36	99	83	154	12	12
8	C80Q40	80	36-41	99	92	154	12	12
9	C100Q25	100	21-26	99	83	154	12	12
10	C100Q30	100	26-31	99	83	154	12	12
11	C100Q40	100	36-41	99	92	154	12	12
12	C120Q25	120	21-26	99	83	154	12	12
13	C120Q35	120	31-36	99	83	154	12	12
14	C120Q45	120	41-46	99	92	154	12	12
15	C160Q30	160	26-31	169	83	215	14	10
16	C160Q40	160	36-41	169	92	215	14	10
17	C160Q45	160	41-46	169	92	215	14	10
18	C200Q40	200	36-41	169	92	215	14	10
19	C200Q45	200	41-46	169	92	215	14	10
20	C250Q45	250	41-46	169	92	215	14	10

Tube to double cable, 230kV



No.	PART No.	Dimensions in mm							
		Φ Tube	Φ conductor	G1	G2	E	d	Bolt	
		D1	D2					M1	M2
1	CDB25Q80	80	21-26	98	83	155	100	12	12
2	CDB25Q100	100	21-26	98	83	155	100	12	12
3	CDB30Q63	63	26-31	98	83	155	100	12	10
4	CDB30Q80	80	26-31	98	83	155	100	12	12
5	CDB30Q90	90	26-31	98	83	155	100	12	12
6	CDB30Q100	100	26-31	98	83	155	100	12	10
7	CDB30Q120	120	26-31	98	83	155	100	12	12
8	CDB30Q120	120	26-31	98	83	155	100	12	12
9	CDB30Q160	160	26-31	98	83	198	100	12	10
10	CDB35Q80	80	31-36	98	83	155	100	12	12
11	CDB35Q160	160	31-36	98	83	198	100	12	10
12	CDB40Q80	80	36-41	98	92	155	105	12	12
13	CDB40Q100	100	36-41	98	92	155	105	12	12
14	CDB40Q120	120	36-41	98	92	155	105	12	12
15	CDB45Q100	100	41-46	98	92	155	105	12	12
16	CDB45Q120	120	41-46	98	92	155	105	12	12