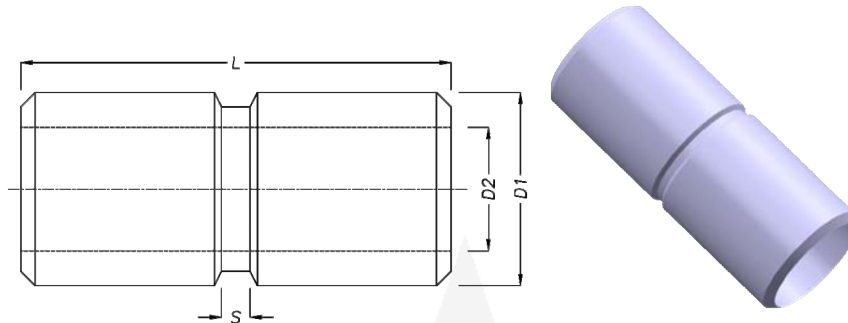


# OTHER CONNECTORS



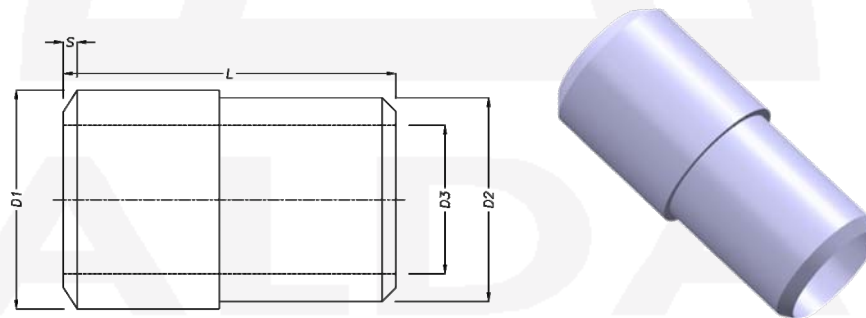
ALDA

**WELDING JOINTS  
Type 1**



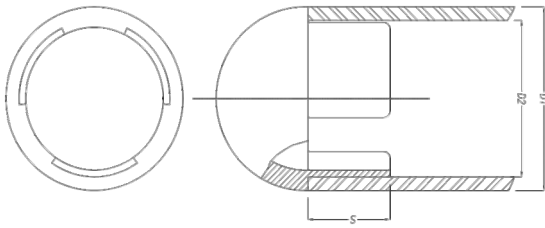
No.	PART No.	Dimensions in mm			
		Φ		L	S
		D1	D2		
1	WJ.80/68	67	44	150	10
2	WJ.100/88	86	63	150	10
3	WJ.120/108	107	80	150	10
4	WJ.160/148	146	117	240	10
5	WJ.160/148/C	146	117	640	10
6	WJ.200/188	186	157	280	10
7	WJ.250/238	236	207	280	10

**WELDING JOINTS  
Type 2**



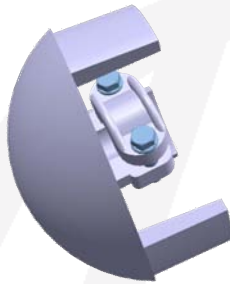
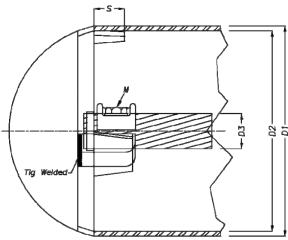
No.	PART No.	Dimensions in mm				
		Φ			L	S
		D1	D2	D3		
1	WJ.100/88 WJ.80/68	86	67	44	150	10
2	WJ.150/138 WJ.160/148	146	136	107	240	10

**CORONA BELLS**



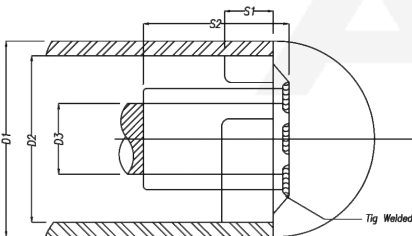
No.	PART No.	Dimensions in mm		
		Φ		S
		D1	D2	
1	C50CB	50	40	20
2	C60CB/C	63	51	20
3	C80CB	80	68	25
4	C100CB	100	88	25
5	C120CB	120	108	40
6	C160CB	160	148	58
7	C250CB	250	238	60
8	C200CB188	200	188	60

**CORONA BELLS  
With damping rope  
Type 1**



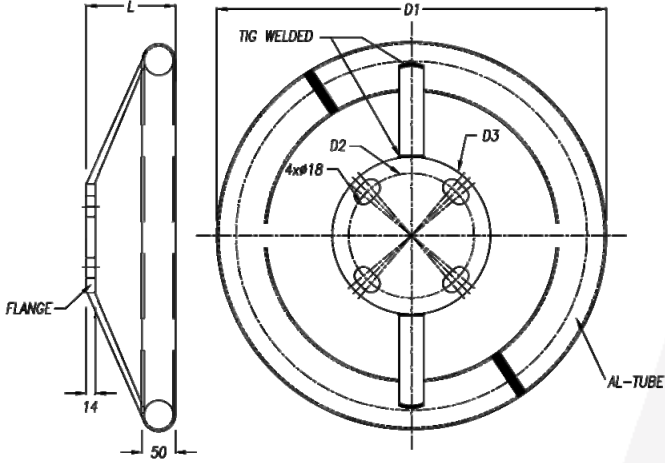
No.	PART No.	Dimensions in mm				
		Φ			S	Bolt M
		D1	D2	D3		
1	C80CBDM229	80	68	18-22.9	42	10
2	C120CBDM229	120	108	18-22.9	58	10
3	C120CBDM229	120	104	18-22.9	58	10
4	C120CBDM260	120	104	23.1-26.0	58	10
5	C150CBDM229	150	138	18-22.9	58	10
6	C160CBDM229	160	148	18-22.9	58	10
7	C160CBDM260	160	148	23.0-26.0	58	10
8	C160CBDM300	160	148	28.1-30.0	58	10
9	C160CBDM335	160	148	28.1-33.5	58	10
10	C250CBDM335	250	238	28.1-33.5	58	10

**CORONA BELLS  
With damping rope  
Type 2**



No.	PART No.	Dimensions in mm				
		Φ			S1	S2
		D1	D2	D3		
1	C80CB16PDM	80	68	12-16	25	100
2	C80CB229PDM	80	68	18-22.9	25	100
3	C100CB229PDM	100	88	18-22.9	25	130

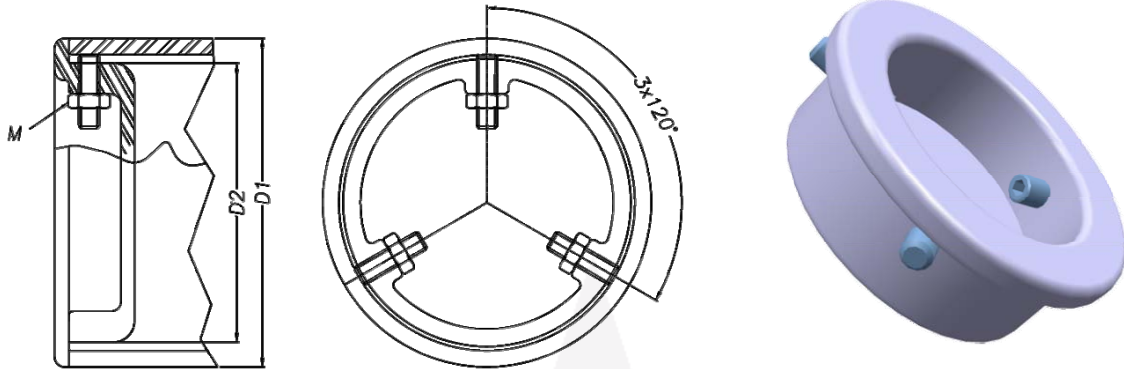
**CORONA SHIELD RINGS**



No.	PART No.	Dimensions in mm			
		Φ			L
		D1	D2	D3	
1	AH.50.350-F16	350	127	160	134
2	AH.50.385-F16	385	127	160	134
3	AH.50.394-F16	394	127	160	134
4	AH.50.470-F26	470	225	260	134
5	AH.50.500-F16	500	127	160	134
6	AH.50.500-F26	500	225	260	134
7	AH.50.570-F26	570	225	260	134
8	AH.50.585-F26	585	225	260	134
9	AH.50.740-F26	740	225	260	214

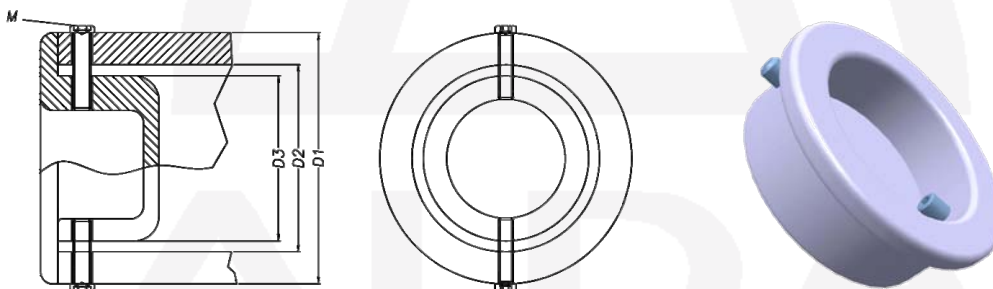
ALDA

**END CAPS  
Type 1**



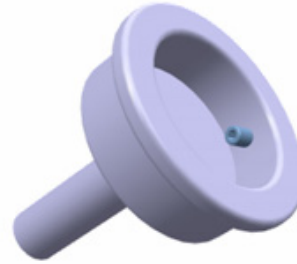
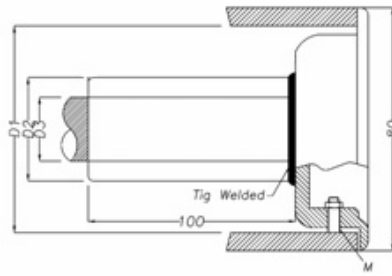
No.	PART No.	Dimensions in mm		
		D1	D2	Bolt M
1	C65EC	65	48	10
2	C80EC	80	63	10
3	C85EC	85	71	10
4	C100EC	100	88	10
5	C120EC	120	102	10
6	C150EC	150	142	10
7	C160EC	160	132	10
8	C200EC	200	180	10
9	C250EC	250	232	10

**END CAPS  
Type 2**



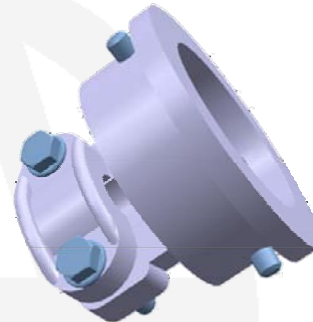
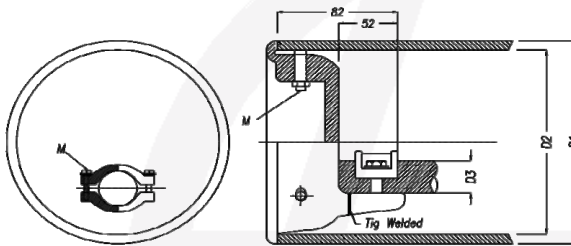
No.	PART No.	Dimensions in mm			
		D1	D2	D3	Bolt M
1	C50EC	50	36	33	8
2	C60EC	60	46	43	8
3	C60EC/C	63	48	46	8

**END CAPS**  
With damping rope  
**Type 1**



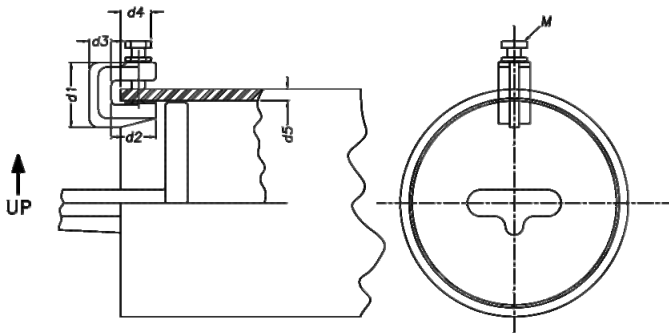
No.	PART No.	Dimensions in mm			Bolt M
		D1	D2	D3	
1	C80EC160PDM	65-68	35	12.0-16.0	10
2	C80EC210PDM	65-68	35	17.5-21.0	10
3	C80EC229PDM	65-68	35	18-22.9	10
4	C80EC280PDM	65-68	35	26.1-28.0	10
5	C80EC300PDM	65-68	35	28.1-300.0	10
6	C80EC322PDM	65-68	35	30.1-32.2	10

**END CAPS**  
With damping rope  
**Type 2**



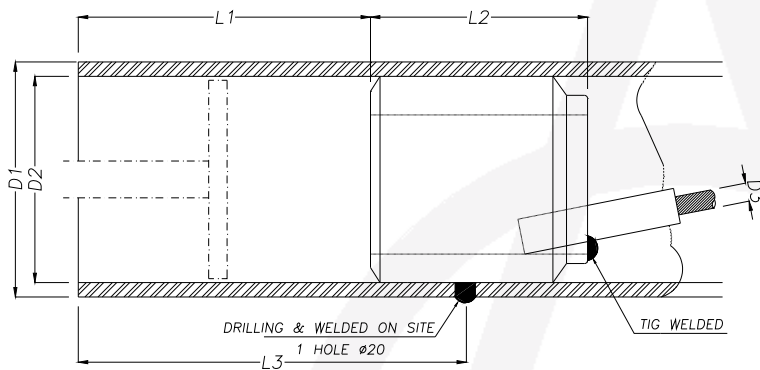
No.	PART No.	Dimensions in mm			Bolt M
		D1	D2	D3	
1	C100EC229DM	100	86	18.2-22.9	10
2	C100EC361DM	100	90	32.3-36.1	10
3	C120EC229DM	120	104-108	18.1-22.9	10
4	C120EC300DM	120	104-108	28.1-30.0	10
5	C120EC322DM	120	104-108	26.1-32.2	10
6	C120EC335DM	120	104-108	28.1-33.5	10
7	C150EC120DM	150	125-138	8.5-12.0	10
8	C150EC229DM	150	125-138	18.1-22.9	10
9	C150EC335DM	150	125-138	28.1-33.5	10
10	C150EC335DM	150	125-138	28.1-33.5	10
11	C160EC229DM	160	134-148	18.1-22.9	10
12	C160EC280DM	160	134-148	26.1-28.0	10
13	C160EC300DM	160	134-148	28.1-30.0	10
14	C160EC335DM	160	134-148	32.2-33.5	10
15	C200EC12DM	200	180-188	8.5-12.0	10
16	C200EC229DM	200	180-188	18.2-22.9	10
17	C200EC335DM	200	180-188	28.1-33.5	10
18	C250EC335DM	250	232-240	28.1-33.5	10

**TUBE SLIDE STOPPER**



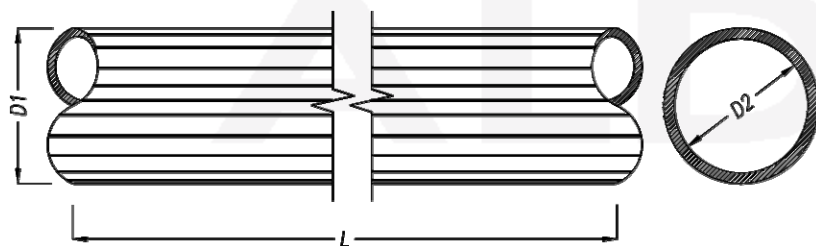
No.	PART No.	Dimensions in mm					Bolt
		d1	d2	d3	d4	d5	
1	CEL10	42	20	20	22	<12	10

**DAMPING ROPE CONNECTORS**



No.	PART No.	Dimensions in mm					
		Φ			L1	L2	L3
		D1	D2	D3			
1	C80WWD15.7	80	68	15.7	200	135	267
2	C80WWD15.8	80	68	15.8	200	135	267
3	C80WWD20.3	80	68	20.3	200	135	267
4	C80WWD22.5	80	68	22.5	200	135	267
5	C100WWD17.5	100	88	17.5	200	135	267
6	C100WWD20.3	100	88	20.3	200	135	267
7	C100WWD22.5	100	88	22.5	200	135	267
8	C120WWD22.5	120	108	22.5	200	135	267
9	C160WWD22.5	160	148	22.5	220	150	340
10	C200WWD32.6	200	188	32.6	220	150	340

**BUS BARS**



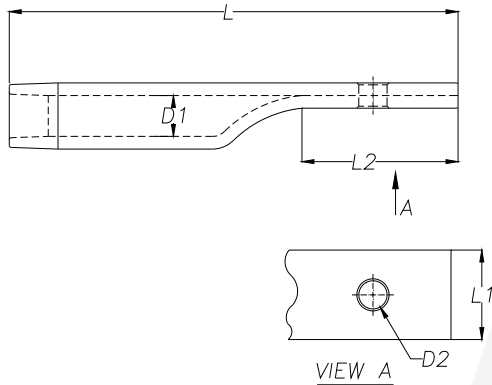
No.	PART No.	Dimensions in mm	
		Φ	
		D1	D2
1	BUS-50/8	50	34
2	BUS-60/6	60	48
3	BUS-80/6	80	68
4	BUS-80/8	80	64
5	BUS-80/10	80	60
6	BUS-100/6	100	88
7	BUS-120/6	120	108
8	BUS-120/10	120	100
9	BUS-160/6	160	148
10	BUS-200/6	200	188
11	BUS-250/6	250	238

L: Lengths on request.

**CABLE LUGS**

For aluminum cable

**Type 1**

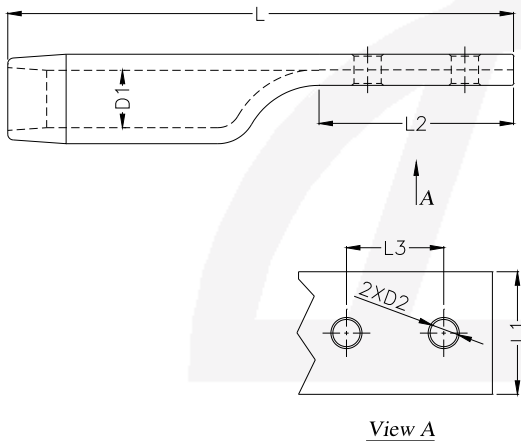


No.	PART No.	Dimensions in mm				
		Φ		L	L1	L2
		D1	D2			
1	ZC70AIH16	11	16	100	42	43
2	ZC240ALH11	21	14.5	230	46	80
3	ZC240ALH16	21	16	230	46	80
4	ZC240ALH17	21	18	230	46	80
5	ZC240ALH18	21	20	230	46	80
6	ZC240ALH210/3	21	16	230	46	80
7	ZC400ALH11	27	14.5	260	63	90
8	ZC400H17	27	18	260	63	90
9	ZC450ALH19	29.5	14	280	63	90
10	ZC500ALH19	31	14	280	68	90
11	ZC625ALH17	34	18	280	68	100
12	ZC625ALH18	34	20	280	68	100
13	ZC800ALH16	39	16	280	80	100
14	ZC1000ALH18	44	20	350	98	100
15	ZC1000ALH19	44	14	350	98	100

**CABLE LUGS**

For aluminum cable

**Type 2**

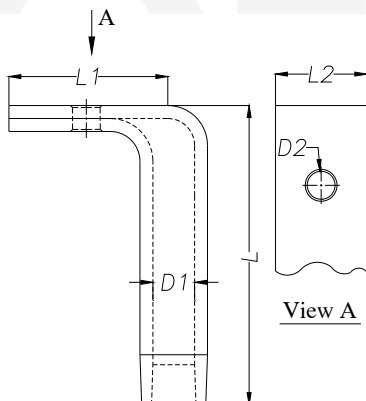


No.	PART No.	Dimensions in mm					
		Φ		L	L1	L2	L3
		D1	D2				
1	ZC400ALH26	27	14	260	63	100	50
2	ZC625ALH26	34	14	270	68	100	45

**CABLE LUGS**

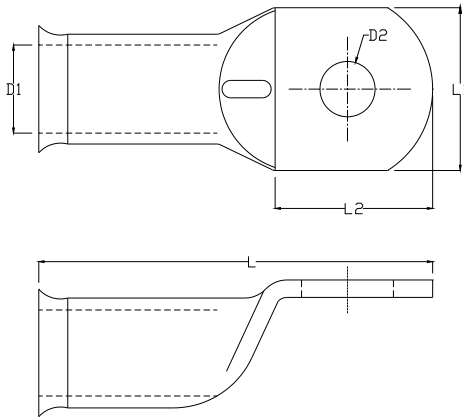
For aluminum cable

**Type 3**



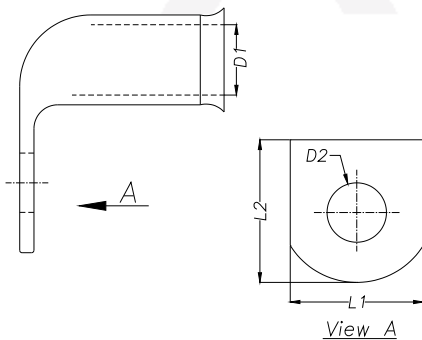
No.	PART No.	Dimensions in mm				
		Φ		L	L1	L2
		D1	D2			
1	ZCL240ALH11	21	14	150	80	46
2	ZCL240ALH12	21	22	150	80	46
3	ZCL1000ALH19	44	14	200	100	98

**CABLE LUGS**  
For copper cable  
**Type 1**



No.	PART No.	Dimensions in mm				
		Φ		L	L1	L2
		D1	D2			
1	ZC70H14	11	10	64	23	33
2	ZC120H11	15	14.5	73	28	33
3	ZC120H18	15	20	73	28	33
4	ZC12011	15	14.5	73	28	33
5	ZC120H12	15	22	73	28	33
6	ZC120H13	15	12	73	28	33
7	ZC120H17	15	18	73	28	33
8	ZC120H19	15	14	73	28	33
9	ZC150H12	16.5	22	80	30	33
10	ZC185H11	18.5	14.5	80	33	33
11	ZC185H12	18.5	22	80	33	33
12	ZC185H14	18.5	10	80	33	33
13	ZC185H17	18.5	18	80	33	33
14	ZC185H18	18.5	20	80	33	33
15	ZC240H16/1	21	16.5	90	37	39
16	ZC300H11	23	14.5	90	41	33
17	ZC300H16/1	23	16.5	90	41	33
18	ZC300H17	23	18	90	41	33
19	ZC300H19	23	14	90	41	33
20	ZC400H14	27	10	105	47	48
21	ZC400H11	27	14.5	105	47	48
22	ZC40018	27	20	105	47	48
23	ZC400H12	27	22	105	47	48
24	ZC400H11	27	14.5	105	47	48
25	ZC400H12	27	22	105	47	48
26	ZC400H18	27	20	105	47	48
27	ZC400H19	27	14	105	47	48
28	ZC500H11	31	14.5	150	56	60
29	ZC630H11	33.4	14.5	150	61	60
30	ZC800H11	39	14.5	275	80	65
31	ZC800H18	39	20	275	80	65
32	ZC1000H11	44	14.5	275	80	65

**CABLE LUGS**  
For copper cable  
**Type 2**



No.	PART No.	Dimensions in mm			
		Φ		L1	L2
		D1	D2		
1	ZCL120H11	15	14.5	28	33
2	ZCL240H16/1	21	16.5	37	39
3	ZCL300H17	23	18	42	44
4	ZCL400H16/1	27	16.5	47	48