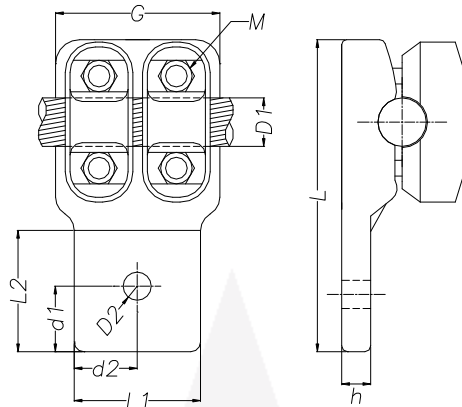


# FLAG TYPE TERMINALS



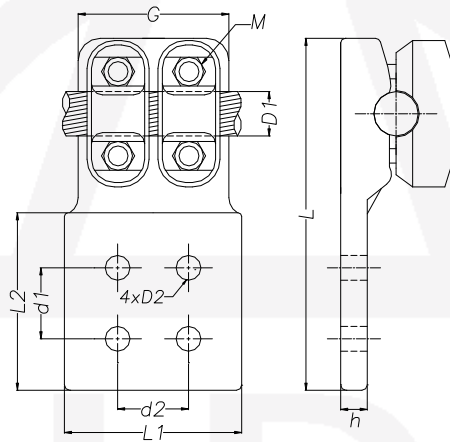
ALDA

**Cable to pad, 230kV  
Type 1**



No.	PART No.	Dimensions in mm									
		Ø		G	L	L1	L2	d1	d2	M	h
		D1	D2								
1	C30Q6X6H19	26-31	14	83	165	60	60	30	30	10	20
2	C30Q6X6H11	26-31	14.5	83	165	60	60	30	30	10	20
3	C30Q7.5X7.5H19	26-31	14	83	180	75	75	37.5	37.5	10	20
4	C30Q10X10 H19	26-31	14	83	205	100	100	50	50	10	20
5	C35Q5X5H19	31-36	14	83	155	50	50	25	25	10	20
6	C40Q4X4H11	36-41	14.5	104	165	40	40	20	20	12	20

**Cable to pad, 230kV  
Type 2**



No.	PART No.	Dimensions in mm									
		Ø		G	L	L1	L2	d1	d2	M	h
		D1	D2								
1	C30Q10X10H41	26-31	14.5	83	205	100	100	44.5	44.5	10	20
2	C30Q10X10H45	26-31	16	83	205	100	100	45	45	10	20
3	C30Q10X10H46	26-31	14.5	83	205	100	100	40	40	10	20
4	C30Q10X10.5H45/1	26-31	14	83	210	100	100	45	45	10	20
5	C35Q10X10H45	31-36	16	83	205	100	100	45	45	10	20
6	C35Q10X10H46	31-36	14.5	83	205	100	100	40	40	10	20
7	C35Q12.5X12.5H417	31-36	14	83	250	125	125	80	80	10	20
8	C40Q10X10H43/3	36-41	14	104	225	100	100	50	50	12	20
9	C40Q10X10H45/1	36-41	14	104	225	100	100	45	45	12	20
10	C45Q10X10H45/1	41-46	14	104	225	100	100	45	45	12	20
11	C45Q10X10H46	41-46	14.5	104	225	100	100	40	40	12	20

Bimetal (Aluminum- Copper) sheets shall be provided whenever the connector is used for copper terminals.

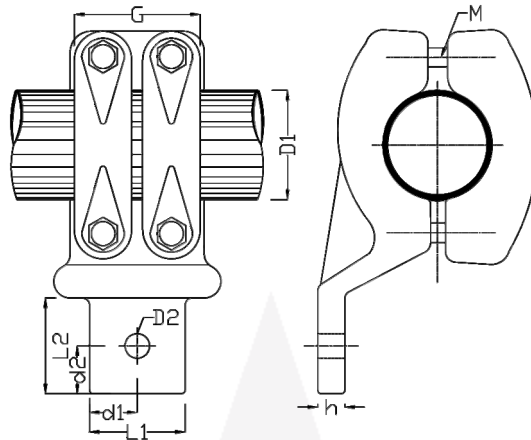
**ALDA MANUFACTURING CO.**

**No. 7, Maryam Alley, Hakim Highway, Tehran-Iran ■ Postal Code: 1473666751**

**Tel: (+9821) 44003214-6 ■ Fax: (+9821) 44003217**

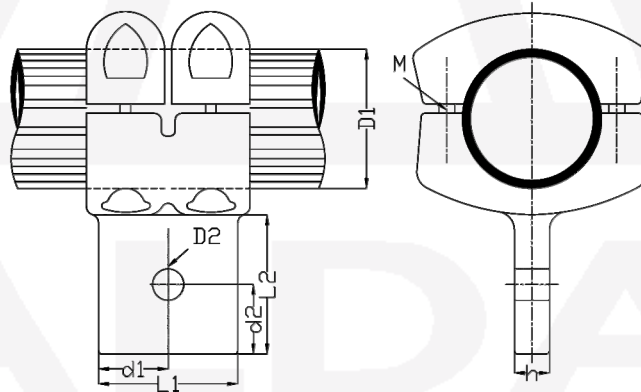
**Email: Info@AldaCompany.com**

**Tube to pad, 230kV & 400kV  
Type 1**



No.	PART No.	Dimensions in mm								
		Ø		G	L1	L2	d1	d2	M	h
		D1	D2							
1	C80Q6X6H14	80	10	92	60	60	30	30	12	20
2	C80Q6X6H16	80	16	92	60	60	30	30	12	20
3	C80Q6X6H16/1	80	16.5	92	60	60	30	30	12	20
4	C80Q6X6H17	80	18	92	60	60	30	30	12	20
5	C80Q6X6H17/1	80	17	92	60	60	30	30	12	20
6	C80Q6X6H18/C	80	20	92	60	60	30	30	12	20
7	C80Q6X6H19	80	14	92	60	60	30	30	12	20
8	C100Q6X6H16	100	16	92	60	60	30	30	12	20
9	C100Q6X6H17/1	100	17	92	60	60	30	30	12	20
10	C100Q7X7H16	100	16	92	70	70	35	35	12	20
11	C100Q10X10H19	100	14.5	92	100	100	50	50	12	20

**Tube to pad, 230kV & 400kV  
Type 2**



No.	PART No.	Dimensions in mm							
		Ø		L1	L2	d1	d2	M	h
		D1	D2						
1	C50Q5X5H17/1	50	17	50	50	25	25	12	20
2	C80Q5X5H13	80	12	50	50	25	25	12	20
3	C80Q5X5H18/C	80	20	50	50	25	25	12	20
4	C80Q5X5H19	80	14	50	50	25	25	12	20
5	C80Q6X6H11	80	14.5	60	60	30	30	12	20
6	C80Q8X8H17	80	18	80	80	40	40	12	20

Bimetal (Aluminum- Copper) sheets shall be provided whenever the connector is used for copper terminals.

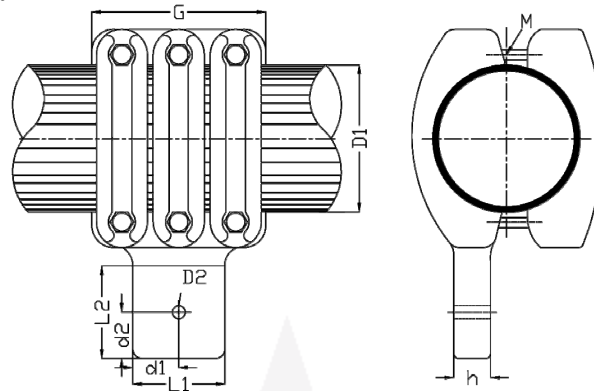
**ALDA MANUFACTURING CO.**

**No. 7, Maryam Alley, Hakim Highway, Tehran-Iran ■ Postal Code: 1473666751**

**Tel: (+9821) 44003214-6 ■ Fax: (+9821) 44003217**

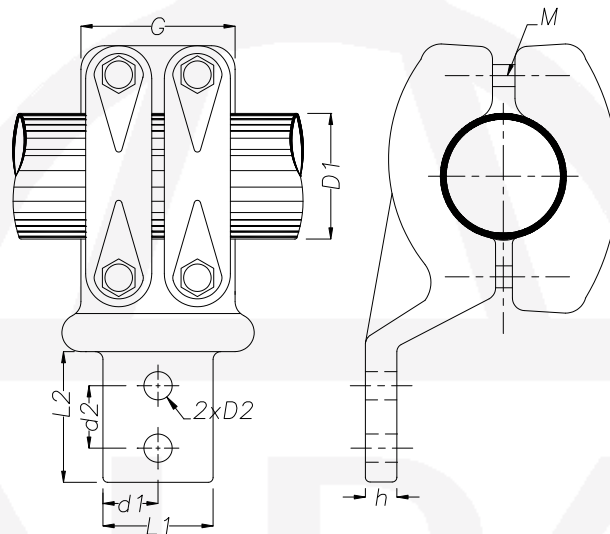
**Email: Info@AldaCompany.com**

**Tube to pad, 230kV & 400kV  
Type 3**



No.	PART No.	Dimensions in mm								
		Ø		G	L1	L2	d1	d2	M	h
		D1	D2							
1	C160Q10X10H13	160	12	169	100	100	50	50	14	40
2	C160Q10X10H19	160	14	169	100	100	50	50	14	40

**Tube to pad, 230kV&400kV  
Type 4**



No.	PART No.	Dimensions in mm								
		Ø		G	L1	L2	d1	d2	M	h
		D1	D2							
1	C80Q5X8H26	80	14	92	50	80	25	50	12	20
2	C80Q5X8H27	80	17	92	50	80	25	50	12	20
3	C80Q7X7H210	80	14	92	70	70	35	25	12	20

Bimetal (Aluminum- Copper) sheets shall be provided whenever the connector is used for copper terminals.

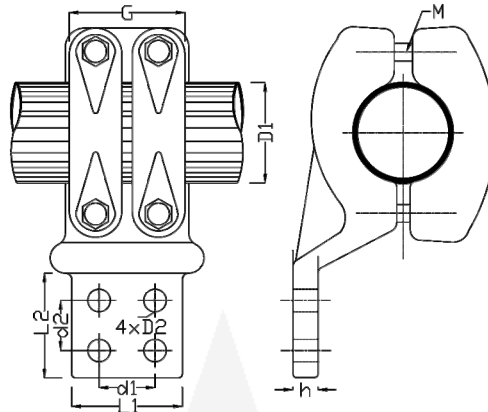
**ALDA MANUFACTURING CO.**

**No. 7, Maryam Alley, Hakim Highway, Tehran-Iran ■ Postal Code: 1473666751**

**Tel: (+9821) 44003214-6 ■ Fax: (+9821) 44003217**

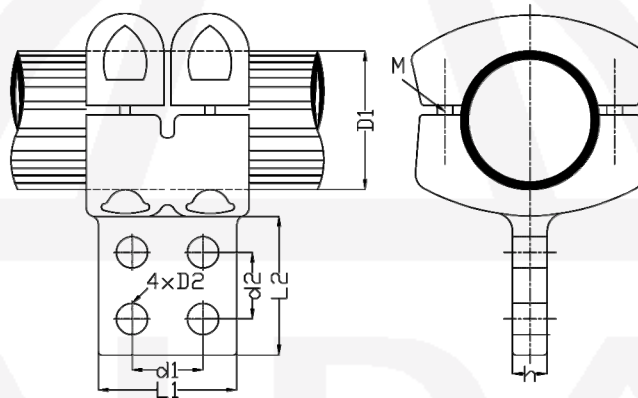
**Email: Info@AldaCompany.com**

**Tube to pad, 230kV&400kV  
Type 5**



No.	PART No.	Dimensions in mm								
		Ø		G	L1	L2	d1	d2	M	h
		D1	D2							
1	C65Q10X10H47	65	18	92	100	100	60	60	12	20
2	C80Q10X10H45/2	80	15	92	100	100	45	45	12	20
3	C80Q10X10H46/3	80	16.5	92	100	100	40	40	12	20
4	C120Q10X9.5H414	120	16	98	100	95	50	40	12	20
5	C120Q10X9.5H42/1	120	14	98	100	95	50	45	12	20

**Tube to pad, 230kV & 400kV  
Type 6**



No.	PART No.	Dimensions in mm								
		Ø		L1	L2	d1	d2	M	h	
		D1	D2							
1	C65Q5X5H410	65	10	50	50	25	25	12	20	

Bimetal (Aluminum- Copper) sheets shall be provided whenever the connector is used for copper terminals.

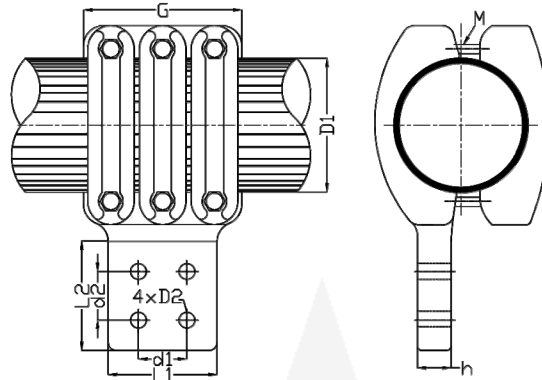
**ALDA MANUFACTURING CO.**

**No. 7, Maryam Alley, Hakim Highway, Tehran-Iran ■ Postal Code: 1473666751**

**Tel: (+9821) 44003214-6 ■ Fax: (+9821) 44003217**

**Email: Info@AldaCompany.com**

Tube to pad, 230kV & 400kV  
Type 7



No.	PART No.	Dimensions in mm								
		Ø		G	L1	L2	d1	d2	M	h
		D1	D2							
1	C160Q10X10H41	160	14.5	169	100	100	44.5	44.5	14	40

Bimetal (Aluminum- Copper) sheets shall be provided whenever the connector is used for copper terminals.

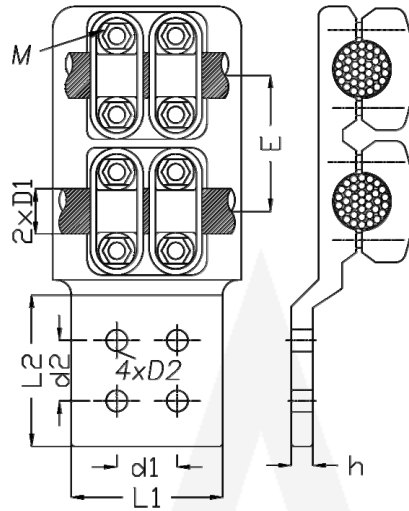
**ALDA MANUFACTURING CO.**

No. 7, Maryam Alley, Hakim Highway, Tehran-Iran ■ Postal Code: 1473666751

Tel: (+9821) 44003214-6 ■ Fax: (+9821) 44003217

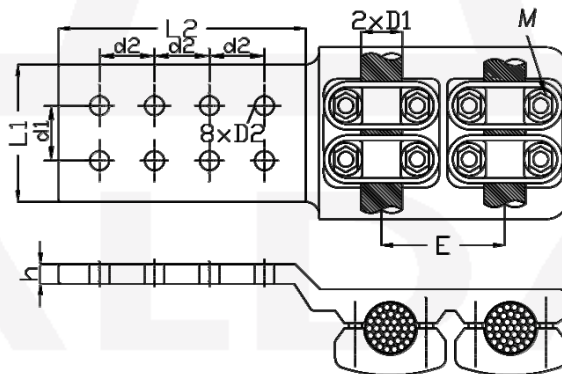
Email: [Info@AldaCompany.com](mailto:Info@AldaCompany.com)

**Double cable to pad, 230kV  
Type 1**



No.	PART No.	Dimensions in mm								
		Ø		E	L1	L2	d1	d2	M	h
		D1	D2							
1	CDB30Q10X10H45/1	26-31	14	100	100	100	40	40	10	20
2	CDB30Q10X10H46	26-31	14.5	100	100	100	40	40	10	20
3	CDB30Q10X10H46/1	26-31	14	100	100	100	40	40	10	20
4	CDB30Q10X10H49/1	26-31	14.5	100	100	100	60	60	10	20

**Double cable to pad, 230kV  
Type 2**



No.	PART No.	Dimensions in mm								
		Ø		E	L1	L2	d1	d2	M	h
		D1	D2							
1	CDB45Q10X20H83/2	41-46	15	105	100	200	50	50	12	20
2	CDB45Q10X25H83/1	41-46	14.5	105	100	250	50	50	12	20

Bimetal (Aluminum- Copper) sheets shall be provided whenever the connector is used for copper terminals.

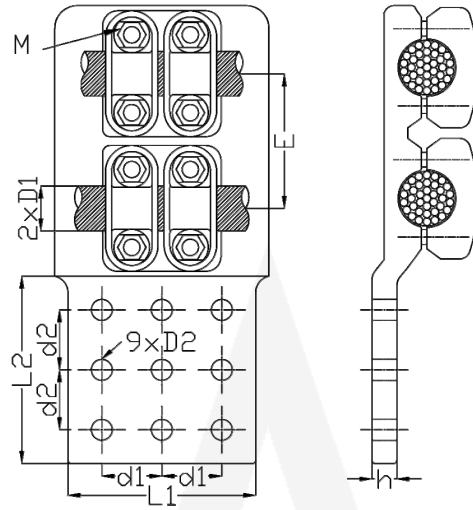
**ALDA MANUFACTURING CO.**

No. 7, Maryam Alley, Hakim Highway, Tehran-Iran ■ Postal Code: 1473666751

Tel: (+9821) 44003214-6 ■ Fax: (+9821) 44003217

Email: [Info@AldaCompany.com](mailto:Info@AldaCompany.com)

**Double cable to pad, 230Kv  
Type 3**



No.	PART No.	Dimensions in mm								
		Ø		E	L1	L2	d1	d2	M	h
		D1	D2							
1	CDB30Q12.5X12.5H96	26-31	14.5	100	125	125	40	40	10	20
2	CDB40Q12.5X12.5H96	36-41	14.5	105	125	125	40	40	12	20
3	CDB40Q12.5X12.5H96/4	36-41	14	105	125	125	40	40	12	20
4	CDB45Q12.5X12.5H96	41-46	14.5	105	125	125	40	40	12	20

Bimetal (Aluminum- Copper) sheets shall be provided whenever the connector is used for copper terminals.

**ALDA MANUFACTURING CO.**

**No. 7, Maryam Alley, Hakim Highway, Tehran-Iran ■ Postal Code: 1473666751**

**Tel: (+9821) 44003214-6 ■ Fax: (+9821) 44003217**

**Email: Info@AldaCompany.com**