

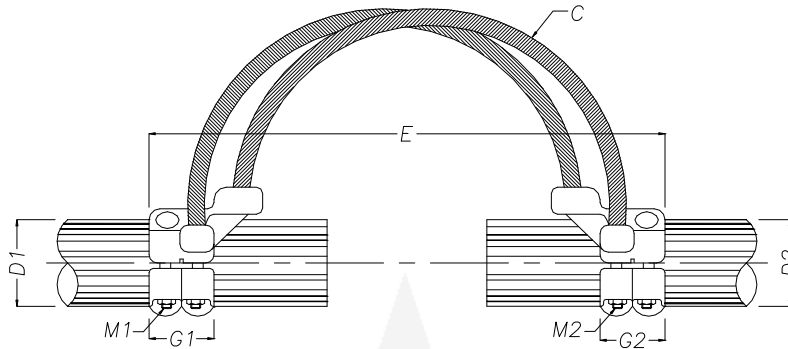


EXPANSION CONNECTORS

ALDA

STRAIGHT EXPANSION CONNECTORS

Tube to tube, 230kV & 400kV



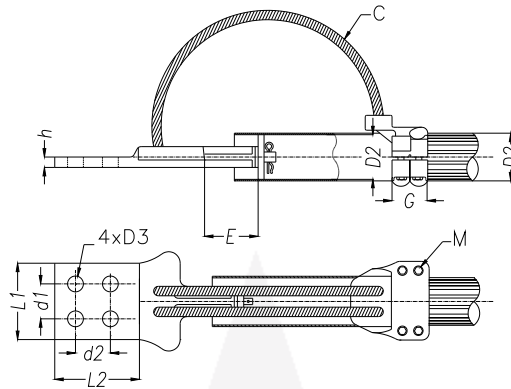
No.	PART No.	Dimensions in mm							C		Slide or Fix
		Ø		G1	G2	M1	M2	E	Qty.	Type	
		D1	D2								
1	C80EX180S46	80	80	92	92	12	12	780	4	625	S
2	C100EX1100S46	100	100	92	92	12	12	780	4	625	S
3	C120EX1120S46	120	120	92	92	12	12	780	4	625	S
4	C150EX1150S46	150	150	112	112	14	14	800	4	625	S
5	C160EX1160S48	160	160	112	112	14	14	800	4	800	S
6	C200EX1200S46	200	200	112	112	14	14	800	4	625	S
7	C240EX1200S48	240	200	112	112	14	14	800	4	800	S
8	C250EX1250S46	250	250	112	112	14	14	800	4	625	S
9	C250EX1250S48	250	250	112	112	14	14	800	4	800	S



STRAIGHT EXPANSION TERMINALS

Tube to pad, 230kV & 400kV

Type 1

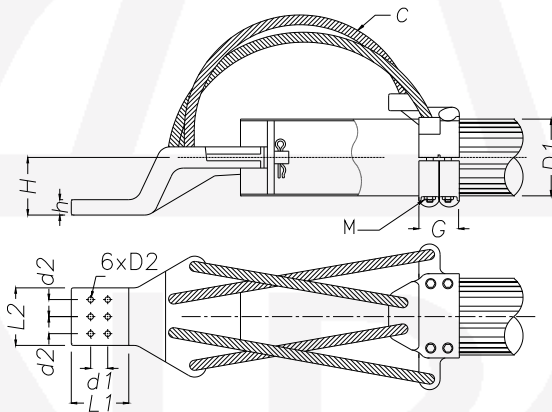


No.	PART No.	Dimensions in mm											C	
		Ø			G	L1	L2	d1	d2	E	M	h	Qty.	Type
1	C50EX2P8x8FH43/2	50	34	14.5	84	80	80	50	50	120	12	20	2	625
2	C50EX2P8x8H46	50	34	14.5	84	80	80	40	40	120	12	20	2	625
3	C50EX2P10x10H45/1	50	34	14	84	100	100	45	45	120	12	20	2	625
4	C80EX2P10x10H41	80	88	14.5	84	100	100	44.5	44.5	120	12	20	2	625
5	C100EX2P10x10H41	100	88	14.5	92	100	100	44.5	44.5	120	12	20	2	625

STRAIGHT EXPANSION TERMINALS

Tube to pad, 230kV & 400kV

Type 2



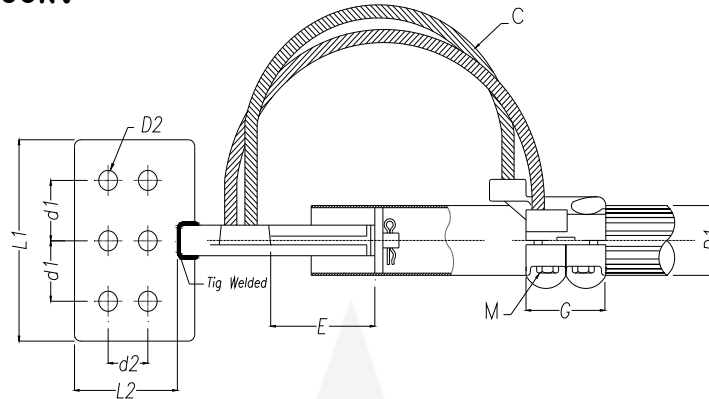
No.	PART No.	Dimensions in mm										C	
		□		G	L1	L2	d1	d2	M	H	h	Qty.	Type
1	C200EX1P15x15H65	200	14.5	92	150	150	44.4	44.4	12	150	40	4	625

Bimetal (Aluminum- Copper) sheets shall be provided whenever the connector is used for copper terminals.

STRAIGHT EXPANSION TERMINALS

Tube to pad, 230kV & 400kV

Type 3

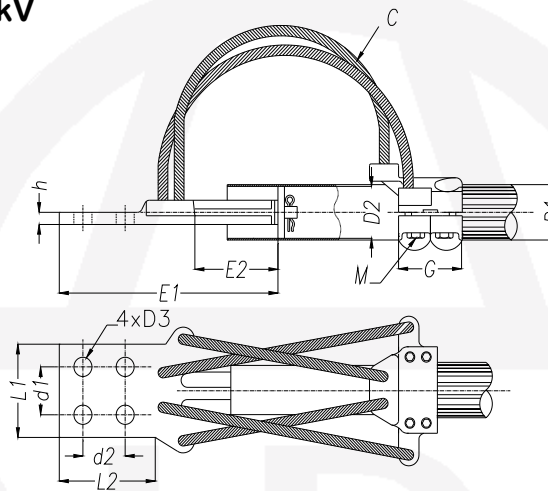


No.	PART No.	Dimensions in mm									C	
		Ø		G	L1	L2	d1	d2	M	E	Qty.	Type
		D1	D2									
1	C120EX3Q15x15H63	120	18	112	150	150	44.5	44.5	12	120	4	800
2	C160EX3Q15x10H63	160	18	112	150	100	44.5	44.5	12	120	4	800
3	C200EX3Q12.5x12.5H63	200	18	112	125	125	44.5	44.5	12	120	4	800

STRAIGHT EXPANSION TERMINALS

Tube to pad, 230kV & 400kV

Type 4



No.	PART No.	Dimensions in mm											C		No. of Holes	
		Ø			G	L1	L2	d1	d2	E1	E2	M	h	Qty.		Type
		D1	D2	D3												
1	C80EX3P7x7H12	80	68	22	92	70	70	-	-	337	120	12	20	4	625	1
2	C50EX3P10x10FH43/2	50	68	14.5	92	100	100	40	40	315	120	12	20	4	625	4
3	C60EX3P10x10FH43/2	60	68	14.5	92	100	100	40	40	315	120	12	20	4	625	4
4	C65EX3P10x10H43/1	65	68	14.5	92	100	100	50	50	315	120	12	20	4	625	4
5	C80EX3P8x8H45/1	80	68	14	92	80	80	45	45	337	120	12	20	4	625	4
6	C80EX3P8x8H46	80	68	14.5	92	80	80	40	40	295	120	12	20	4	625	4
7	C80EX3P10x10H41	80	68	14.5	92	100	100	44.5	44.5	315	120	12	20	4	625	4

See the next page

Bimetal (Aluminum- Copper) sheets shall be provided whenever the connector is used for copper terminals.

ALDA MANUFACTURING CO.

No. 7, Maryam Alley, Hakim Highway, Tehran-Iran ■ Postal Code: 1473666751

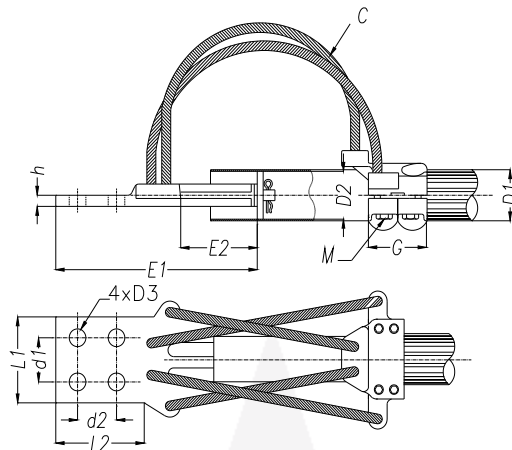
Tel: (+9821) 44003214-6 ■ Fax: (+9821) 44003217

Email: Info@AldaCompany.com

STRAIGHT EXPANSION TERMINALS

Tube to pad, 230kV & 400kV

Type 4

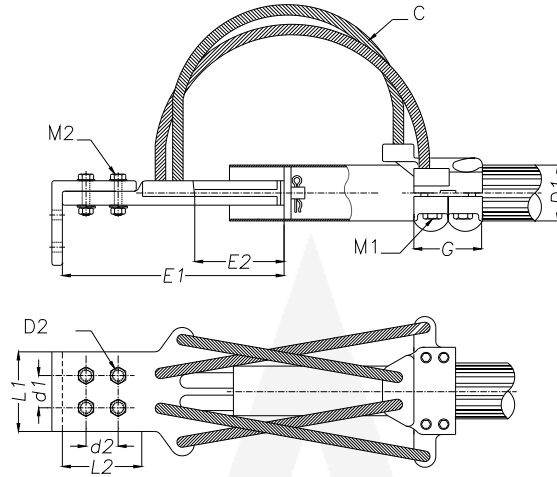


No.	PART No.	Dimensions in mm												C		No. of Holes
		Ø			G	L1	L2	d1	d2	E1	E2	M	h	Qty.	Type	
		D1	D2	D3												
8	C80EX3P10x10H43/1	80	68	14.5	92	100	100	50	50	337	120	12	20	4	625	4
9	C80EX3P10x10H43/3	80	68	14	92	100	100	50	50	337	120	12	20	4	625	4
10	C80EX3P10x10H43/5	80	68	15	92	100	100	50	50	315	120	12	20	4	625	4
11	C80EX3P10x10H45/2	80	68	15	92	100	100	45	45	315	120	12	20	4	625	4
12	C80EX3P10x10H46	80	68	14.5-	92	100	100	-	-	315	120	12	20	4	625	4
13	C80EX3P10x10FH46/2	80	68	14.5	92	100	100	44.5	44.5	315	120	12	20	4	625	4
14	C80EX3P10x10FH43/3	80	68	14.5	92	100	100	40-50	40-50	340	120	12	20	4	625	4
15	C80EX3P10x12H43/3	80	68	14	92	100	120	50	50	335	120	12	20	4	625	4
16	C80EX3P12.5x12.5H41	80	68	14.5	92	125	125	44.5	44.5	337	120	12	20	4	625	4
17	C80EX3P12.5x12.5FH46/2	80	68	14.5	92	125	125	44.5	44.5	340	120	12	20	4	625	4
18	C80EX3P12.5x12.5H96	80	68	14.5	92	125	125	40	40	337	120	12	20	4	625	9
19	C100EX3P5x8H213	100	88	14	92	50	80	-	45	315	120	12	20	4	625	2
20	C100EX3P10x10H41	100	88	14.5	92	100	100	44.5	44.5	315	120	12	20	4	625	4
21	C100EX3P10x10UH45/1	100	88	14	92	100	100	45	45	315	120	12	20	4	625	4
22	C100EX3P10x12.5FH43/1	100	88	14.5	92	100	125	50	50	340	120	12	20	4	625	4
23	C100EX3P12.5x12.5FH43/1	100	88	14.5	92	125	125	50	50	340	120	12	20	4	625	4
24	C100EX3P12.5x12.5FUH43/1	100	88	14.5	92	125	125	50	50	340	120	12	20	4	625	4
25	C100EX3P12.5x12.5FH46/2	100	88	14.5	92	125	125	44.5	44.5	340	120	12	20	4	625	4
26	C100EX3P12.5x12.5H96	100	88	14.5	92	125	125	40	40	340	120	12	20	4	625	9
27	C120EX3P8x8H41/2	120	88	14.5	92	80	80	44.5	44.5	340	120	12	20	4	625	4
28	C120EX3P12.5x12.5H96	120	88	14.5	92	125	125	40	40	340	120	12	20	4	625	9
29	C120EX3P12.5x12.5FH43/1	120	88	14.5	92	125	125	50	50	340	120	12	20	4	625	4
30	C120EX3P20x10H81	120	88	14	92	200	200	50	50	340	120	12	20	4	625	8
31	C160EX3P10x15H63/3	160	88	18	112	100	150	44.5	44.5	410	120	12	20	4	800	6
32	C160EX3P12.5x12.5H96	160	88	14.5	112	125	125	40	40	340	120	12	20	4	800	9
33	C160EX3P15x9H63/2	160	88	14.5	112	150	90	44.5	44.5	305	120	12	20	4	800	6

Bimetal (Aluminum- Copper) sheets shall be provided whenever the connector is used for copper terminals.

RIGHT ANGLE EXPANSION TERMINALS

Tube to pad, 230kV & 400kV



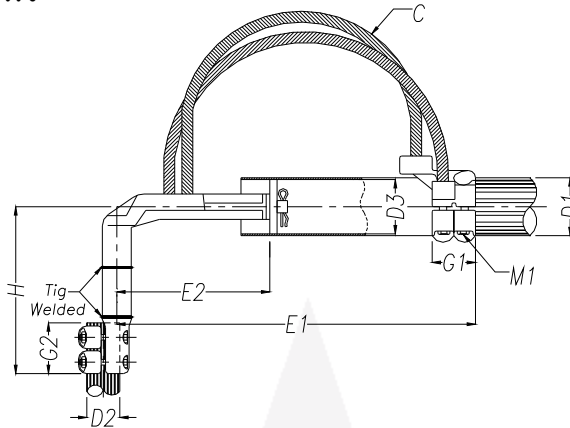
No.	PART No.	Dimensions in mm											C		No. of Holes
		Ø		G	L1	L2	d1	d2	E1	E2	M1	M2	Qty.	Type	
		D1	D2												
1	C50EX3L6X6H411/1	50	14	92	60	60	32	32	275	120	12	12	4	625	4
2	C80EX3L6X6H411/1	80	14	92	60	60	32	32	275	120	12	12	4	625	4
3	C120EX3L6X6H411/1	120	14	92	60	60	32	32	275	120	12	12	4	625	4
4	C160EX3L15X9H63/3	160	14.5	112	150	90	44.5	44.5	225	120	12	12	4	800	6
5	C160EX3L15X10H63/3	160	18	112	150	100	44.5	44.5	225	120	12	12	4	800	6

Bimetal (Aluminum- Copper) sheets shall be provided whenever the connector is used for copper terminals.

EXPANSION TEE CONNECTORS

Tube to stud, 230kV & 400kV

Type 1

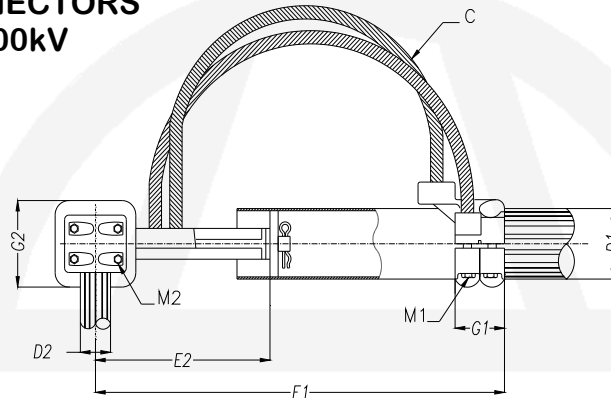


No.	PART No.	Dimensions in mm										C	
		Ø			G1	G2	E1	E2	M1	M2	H	Qty.	Type
		D1	D2	D3									
1	C80EX5T3046	80	30	68	98	92	780	312	12	12	175	4	625
2	C120EX5T4046	120	40	108	98	92	780	312	12	12	255	4	625
3	C120EX5T6046	120	60	108	98	92	780	326	12	12	292	4	625
4	C160EX5T6046	160	60	108	112	92	820	308	14	12	126	4	625

EXPANSION TEE CONNECTORS

Tube to stud, 230kV&400kV

Type 2



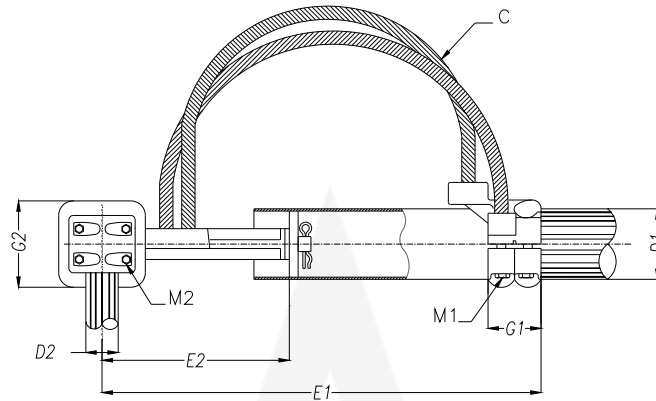
No.	PART No.	Dimensions in mm										C	
		Ø		G1	G2	E1	E2	M1	M2	Qty.	Type		
		D1	D2										
1	C50EX2T3026	50	30	98	92	700	310	12	12	2	625		
2	C50EX2T4028	50	40	98	92	700	310	12	12	2	800		
3	C60EX2T3026	60	30	98	92	730	310	12	12	2	625		
4	C65EX2T1626	65	16	98	92	820	310	12	12	2	625		
5	C65EX2T3026	65	30	98	92	820	310	12	12	2	625		
6	C65EX2T4026	65	40	98	92	820	310	12	12	2	625		
7	C80EX2T3026	80	30	98	92	730	310	12	12	2	625		
8	C80EX2T4026	80	40	98	92	700	310	12	12	2	625		
9	C80EX2T4028	80	40	98	92	700	310	12	12	2	800		
10	C100EX2T3026	100	30	98	92	840	310	12	12	2	625		
11	C100EX2T4026	100	40	98	92	730	345	12	10	2	625		
12	C50EX3T3046	50	30	98	92	625	300	12	10	4	625		
13	C80EX3T2046	80	20	98	100	780	300	12	12	4	625		

Bimetal (Aluminum- Copper) sheets shall be provided whenever the connector is used for copper terminals.

EXPANSION TEE CONNECTORS

Tube to stud, 230kV&400kV

Type 2



No.	PART No.	Dimensions in mm								C	
		Ø		G1	G2	E1	E2	M1	M2	Qty.	Type
		D1	D2								
14	C80EX3T3042	80	30	92	99	780	310	12	12	4	240
15	C80EX3T3046	80	30	92	99	625	300	12	10	4	625
16	C80EX3T4046	80	40	92	99	780	308	12	12	4	625
17	C80EX3T4046	80	40	92	99	780	308	12	12	4	625
18	C80EX3T6046	80	60	92	99	780	308	12	12	4	625
19	C80EX3T8046	80	80	92	99	780	308	12	12	4	625
20	C100EX3T3046	100	30	92	99	780	308	12	12	4	625
21	C100EX3T4046	100	40	92	99	780	308	12	12	4	625
22	C100EX3T5046	100	50	92	99	780	308	12	12	4	625
23	C100EX3T6046	100	60	90	99	840	308	12	12	4	625
24	C120EX3T3046	120	30	92	99	780	308	12	12	4	625
25	C120EX3T4046	120	40	92	99	780	308	12	12	4	625
26	C120EX3T5046	120	50	92	99	780	308	12	12	4	625
27	C120EX3T6046	120	60	92	99	780	308	12	12	4	625
28	C120EX3T8046	120	80	92	80	625	300	12	12	4	625
29	C160EX3T3046	160	30	112	99	820	308	12	14	4	625
30	C160EX3T4046	160	40	112	99	800	308	12	14	4	625
31	C160EX385046	160	50	112	99	800	308	12	12	4	625
32	C160EX3T6048	160	60	112	99	820	308	12	14	4	800
33	C200EX3T3046	200	30	112	99	820	308	12	14	4	625
34	C200EX3T5046	200	50	112	99	820	308	12	14	4	625
35	C200EX3T6046	200	60	112	99	820	308	12	14	4	625
36	C200EX3T8046	200	80	112	99	820	308	12	14	4	625
37	C250EX3T3046	250	30	112	99	820	308	12	14	4	625
38	C250EX3T6048	250	60	112	99	820	308	12	14	4	800

Bimetal (Aluminum- Copper) sheets shall be provided whenever the connector is used for copper terminals.

ALDA MANUFACTURING CO.

No. 7, Maryam Alley, Hakim Highway, Tehran-Iran ■ Postal Code: 1473666751

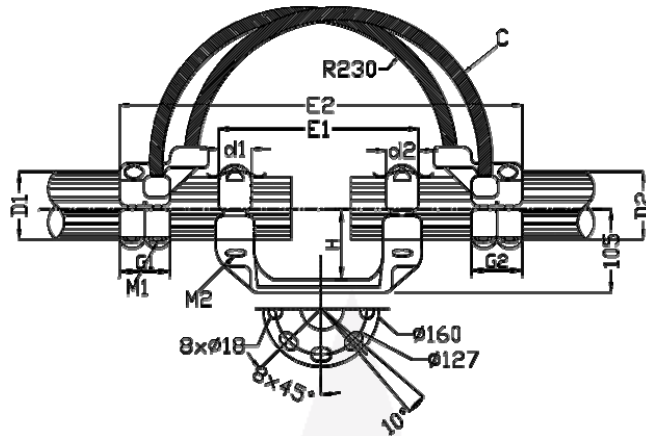
Tel: (+9821) 44003214-6 ■ Fax: (+9821) 44003217

Email: Info@AldaCompany.com

EXPANSION BUS SUPPORT CONNECTORS

Tube to tube, 230kV & 400kV

Type 1



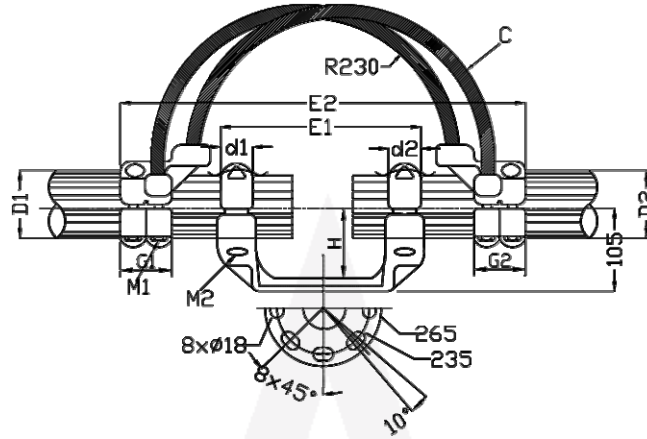
No.	PART No.	Dimensions in mm											C		Slide or Fix
		Ø		G1	G2	M1	M2	d1	d2	E1	E2	H	Qty.	Type	
		D1	D2												
1	C50EX150F16	50	50	83	83	12	12	45	45	285	650	90	2	625	F
2	C80EX180F16F26	80	80	83	83	12	12	45	45	285	750	95	2	625	F
3	C80EX180F16S26	80	80	83	83	12	12	45	45	285	750	95	2	625	S
4	C80EX180F16F28	80	80	83	83	12	12	45	45	285	750	95	2	800	F
5	C80EX180F16S46	80	80	83	83	12	12	45	45	285	750	95	4	625	S
6	C100EX1100F16F46	100	100	92	92	12	12	45	45	390	730	105	4	625	F
7	C100EX1100F16S46	100	100	92	92	12	12	45	45	390	730	105	4	625	S
8	C120EX1100F16S46	120	100	92	92	12	12	45	45	390	780	115	4	625	S
9	C120EX1120F16F46	120	120	92	92	12	12	45	45	390	780	115	4	625	F
10	C120EX1120F16S46	120	120	92	92	12	12	45	45	390	780	115	4	625	S
11	C150EX1150F16S48	150	150	112	112	14	14	48	48	318	800	135	4	800	S
12	C160EX1150F16S48	160	150	112	112	14	14	48	48	318	800	135	4	800	S
13	C160EX1160F16F48	160	160	112	112	14	14	48	48	318	800	135	4	800	F
14	C160EXX160F16S46	160	160	112	112	12	12	55	55	300	800	135	4	625	S
15	C160EX1160F16S48	160	160	112	112	14	14	48	48	318	800	135	4	800	S
16	C200EX1200F16S48	200	200	110	110	14	14	55	55	345	820	180	4	800	S
17	C200EX1200F16S46	200	200	110	110	14	14	55	55	345	820	180	4	625	S

ALDA

EXPANSION BUS SUPPORT CONNECTORS

Tube to tube, 230kV & 400kV

Type 2



No.	PART No.	Dimensions in mm											C		Slide or Fix
		Ø		G1	G2	M1	M2	d1	d2	E1	E2	H	Qty.	Type	
		D1	D2												
1	C80EX180F26S28	80	80	83	83	12	12	45	45	386	750	100	2	800	S
2	C80EX180F16S26H46	80	80	83	83	12	12	45	45	285	750	95	4	625	S
3	C100EX1100F26S48	100	100	92	92	12	12	45	45	390	780	105	4	800	S
4	C120EX1120F26S46	120	120	92	92	12	12	45	45	390	780	115	4	625	S
5	C120EX1120F26F46	120	120	92	92	12	12	45	45	390	780	115	4	625	F
6	C150EX1150F26S48	150	150	112	112	14	14	48	48	318	800	135	4	800	S
7	C160EX1150F26S48	160	150	112	112	14	14	48	48	408	800	135	4	800	S
8	C160EX1160F26S46	160	160	112	112	14	14	48	48	408	800	135	4	625	S
9	C160EX1160F26S48	160	160	112	112	14	14	48	48	408	800	135	4	800	S
10	C200EX1200F26-C8S48	200	200	110	110	14	14	55	55	452	820	180	4	800	S
11	C200EX1200F26-C8S410	200	200	110	110	14	14	55	55	452	820	180	4	1000	S
12	C200EX1200F26-8S4(1773)	200	200	110	110	14	14	55	55	458	820	180	4	1773	S
13	C200EX1200F26-C8S46	200	200	110	110	14	14	55	55	458	820	180	4	625	S
14	C200EX1200F26/1S46	200	200	112	112	14	14	55	55	450	960	180	4	625	S
15	C200EX1200F26F46	200	200	110	110	14	14	55	55	452	840	180	4	625	F
16	C200EX1200F26S46	200	200	110	110	14	14	55	55	452	840	180	4	625	S
17	C250EX1250F26S48	250	250	112	112	14	14	55	55	345	900	205	4	800	S
18	C250EX1250F26S48	250	250	112	112	14	14	88	88	345	900	205	4	800	S
19	C250EX1250F26-C8S48	250	250	112	112	14	14	55	55	345	900	180	4	800	S
20	C250EX1250F26-C8S46	250	250	112	112	14	14	55	55	345	900	208	4	625	S
21	C250EX1250F26-C8S410	250	250	112	112	14	14	55	55	345	900	180	4	1000	S