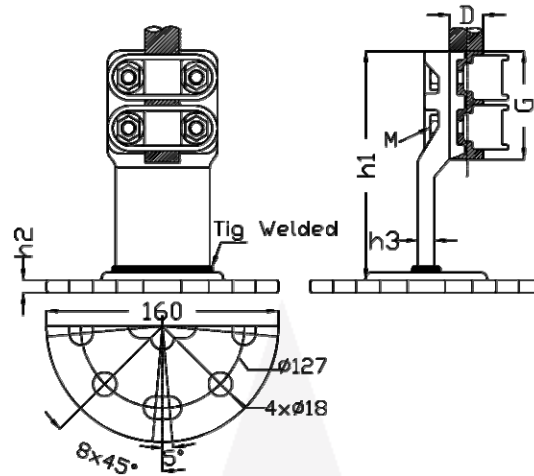




CONNECTOR SUPPORTS

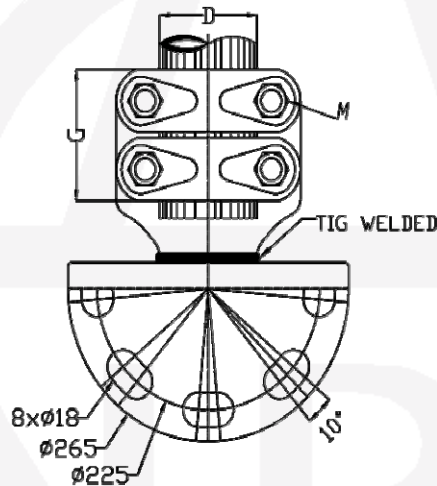
ALDA

Cable to insulator, vertical, 230kV



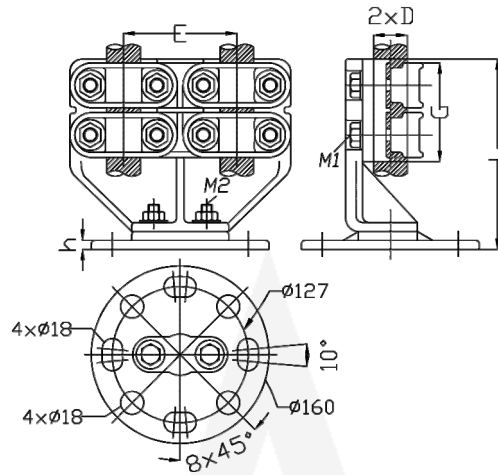
No.	PART No.	Dimensions in mm					
		Ø D	G	h1	h2	h3	M
1	C30F16V	26-31	92	180	11	22	12
2	C40F16V	36-41	92	180	11	22	12
3	C45F16V	41-46	92	180	11	22	12

Tube to insulator, vertical, 230kV & 400kV



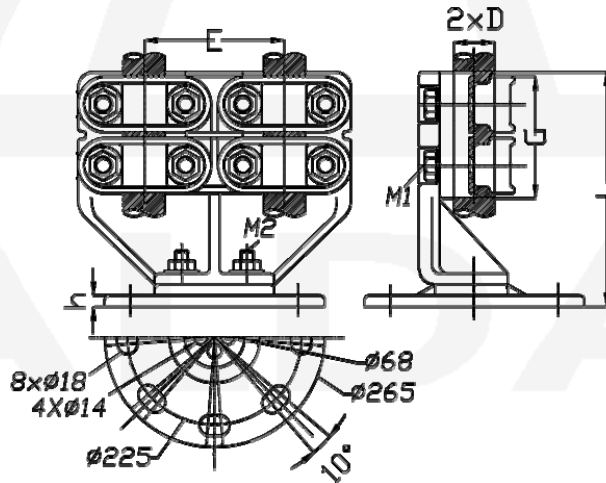
No.	PART No.	Dimensions in mm		
		Ø D	G	M
1	C80F26V	80	98	12
2	C100F26V	100	98	12

Double cable to insulator, vertical, 230kV
Type 1



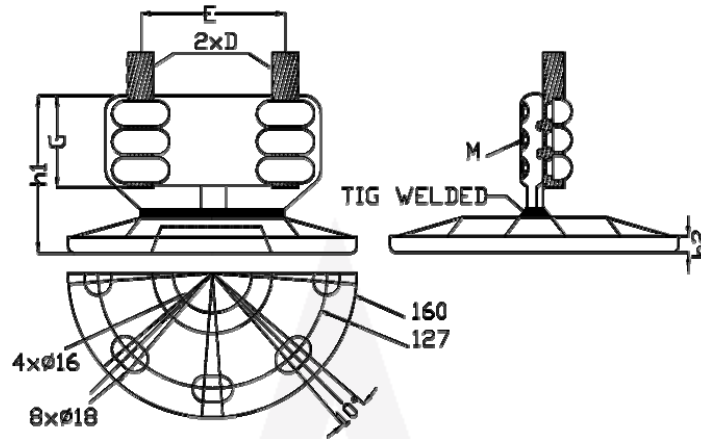
No.	PART No.	Dimensions in mm						
		ϕ D	G	h	M1	M2	L	E
1	CDB30F16V	26-31	100	11	12	10	180	100
2	CDB35F16V	31-36	100	11	12	10	180	105
3	CDB40F16V	36-41	100	11	12	10	180	105
4	CDB45F16V	41-46	100	11	12	10	180	105

Double cable to insulator, vertical, 230kV
Type 2



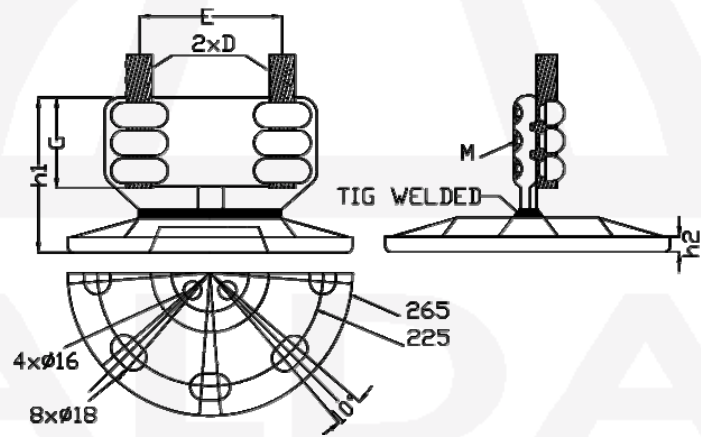
No.	PART No.	Dimensions in mm						
		ϕ D	G	h	M1	M2	L	E
1	CDB40F26V	36-41	100	14	12	10	190	105
2	CDB45F26V	41-46	100	14	12	10	190	105

Double cable to insulator, vertical, 400kV
Type 1



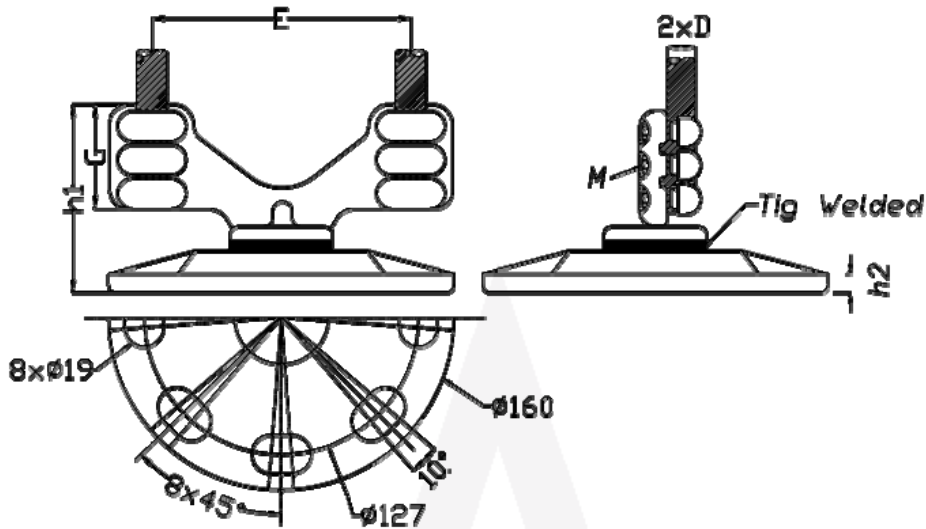
No.	PART No.	Dimensions in mm					
		Ø D	G	h1	h2	M	E
1	EDB383F16V	36.2-38.3	120	195	14	10	100
2	EDB415F16V	40.1-41.5	120	195	14	10	100

Double cable to insulator, vertical, 400kV
Type 2



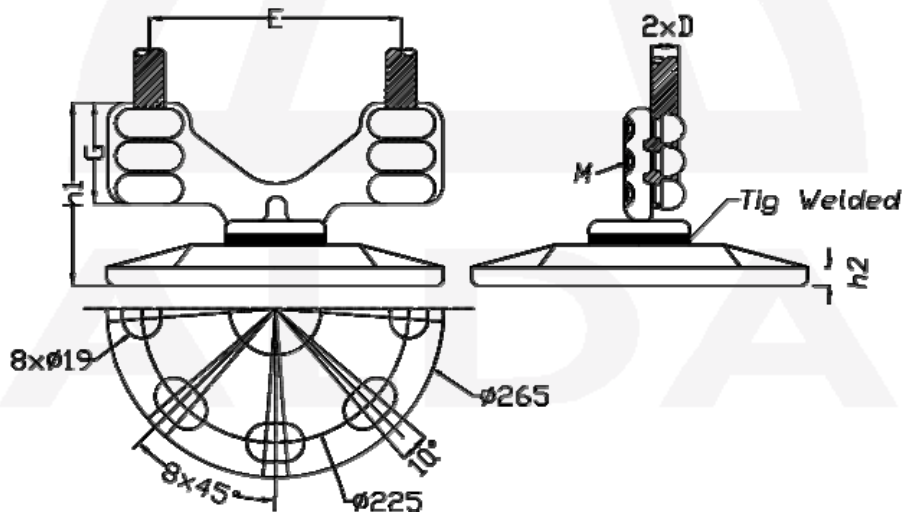
No.	PART No.	Dimensions in mm					
		Ø D	G	h1	h2	M	E
1	EDB383F26V	36.2-38.3	120	195	14	10	100
2	EDB415F26V	40.1-41.5	120	195	14	10	100

Double cable to insulator, vertical, 400kV
Type 3



No.	PART No.	Dimensions in mm					
		$\frac{\text{Ø}}{\text{D}}$	G	h1	h2	M	E
1	EDY383F16V	36.2-38.3	120	195	14	10	200
2	EDY415F16V	40.1-41.5	120	195	14	10	200

Double cable to insulator, vertical, 400kV
Type 4



No.	PART No.	Dimensions in mm					
		$\frac{\text{Ø}}{\text{D}}$	G	h1	h2	M	E
1	EDY300F26V	28.1-30.0	120	195	14	10	200
2	EDY322F26V	30.1-32.2	120	195	14	10	200
3	EDY335F26V	32.3-33.5	120	195	14	10	200
4	EDY383F26V	36.2-38.3	120	195	14	10	200
5	EDY415F26V	40.1-41.5	120	196	14	10	200

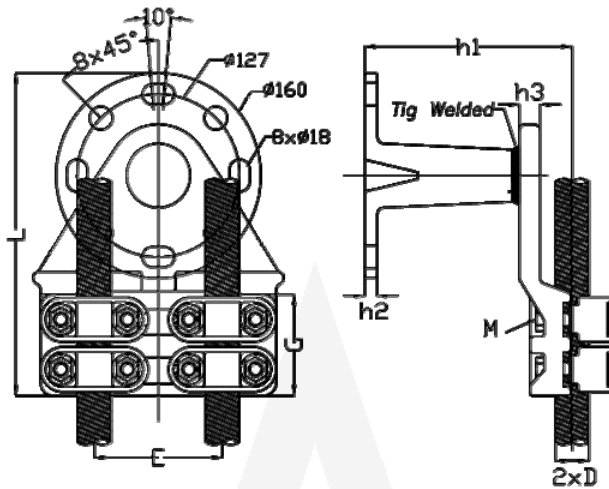
ALDA MANUFACTURING CO.

No. 7, Maryam Alley, Hakim Highway, Tehran-Iran ■ Postal Code: 1473666751

Tel: (+9821) 44003214-6 ■ Fax: (+9821) 44003217

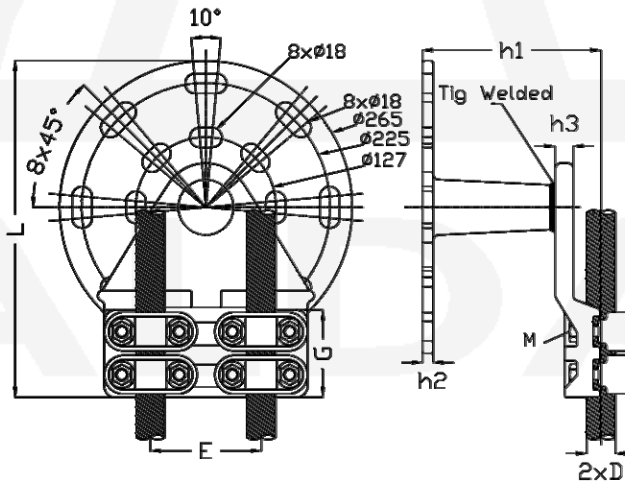
Email: Info@AldaCompany.com

Double cable to insulator, 230kV
Type 1



No.	PART No.	Dimensions in mm							
		Ø D	G	h1	h2	h3	M	L	E
1	CDB25F16	21-26	83	150	11	20	10	230	100
2	CDB30F16	26-31	83	150	11	20	10	230	100
3	CDB35F16	31-36	83	150	11	20	10	230	100
4	CDB40F16	36-41	83	150	11	20	10	230	105
5	CDB45F16	41-46	83	150	11	20	10	230	105

Double cable to insulator, 230kV
Type 2



No.	PART No.	Dimensions in mm							
		Ø D	G	h1	h2	h3	M	L	E
1	CDB30F26	26-31	83	150	11	20	10	283	100
2	CDB35F26	31-36	83	150	11	20	10	283	100
3	CDB40F26	36-41	83	150	11	20	10	283	100
4	CDB40F26/C	36-41	83	150	11	20	10	283	100

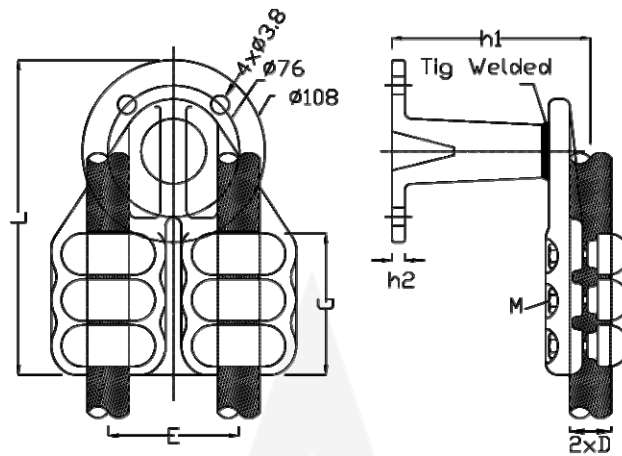
ALDA MANUFACTURING CO.

No. 7, Maryam Alley, Hakim Highway, Tehran-Iran ■ Postal Code: 1473666751

Tel: (+9821) 44003214-6 ■ Fax: (+9821) 44003217

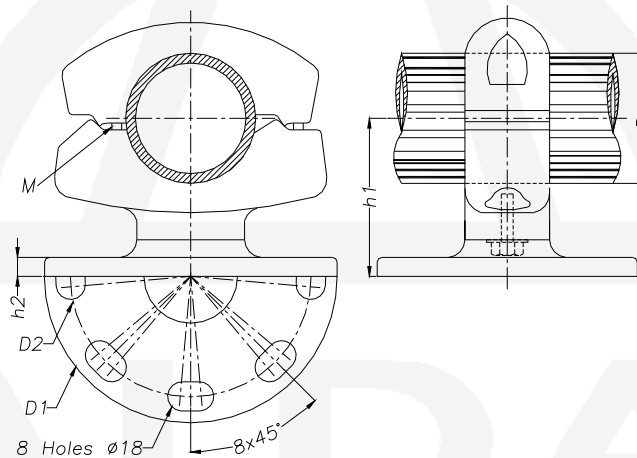
Email: Info@AldaCompany.com

Double cable to insulator, 400kV



No.	PART No.	Dimensions in mm						
		Ø D	G	h1	h2	M	L	E
1	EDB322F108	30.1-32.2	120	150	10	10	226	100
2	EDB322F102	30.1-32.2	120	150	10	10	226	100
3	EDB383F108	36.2-38.3	120	150	10	10	226	100

Tube support, 230kV & 400kV



No.	PART No.	Dimensions in mm						Slide or Fix
		Φ			h1	h2	M	
		D	D1	D2				
1	C50F16F	50	160	76	95	14	12	F
2	C50F16S	50	160	76	95	14	12	S
3	C60F16F	60	160	76	95	14	12	F
4	C60F16S	60	160	76	95	14	12	S
5	C80F16F	80	160	127	95	14	12	F
6	C80F16S	80	160	127	95	14	12	S
7	C80F26F	80	265	225	95	14	12	F
8	C80F26S	80	265	225	95	14	12	S

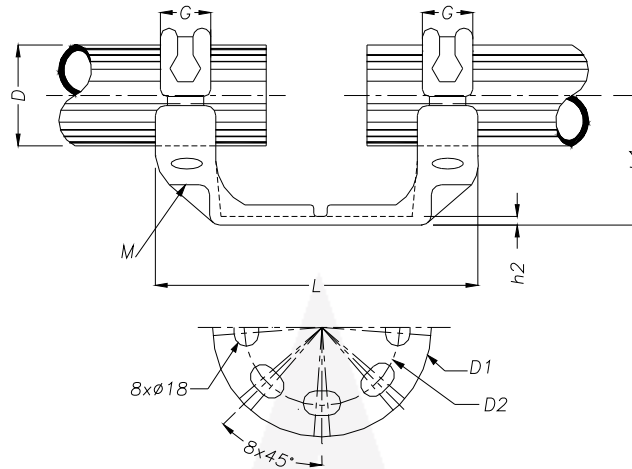
ALDA MANUFACTURING CO.

No. 7, Maryam Alley, Hakim Highway, Tehran-Iran ■ Postal Code: 1473666751

Tel: (+9821) 44003214-6 ■ Fax: (+9821) 44003217

Email: Info@AldaCompany.com

Tube to tube, 230kV & 400kV
Type 1



No.	PART No.	Dimensions in mm								Slide or Fix
		Φ			L	G	h1	h2	M	
		D	D1	D2						
1	C50S50F16F	50	160	127	285	45	95	12	12	F
2	C80S80F10F	80	100	76	285	45	95	12	12	F
3	C80S80F16F	80	160	127	285	45	95	12	12	F
4	C80S80F16S	80	160	127	285	45	95	12	12	S
5	C100S100F16F/1/C	100	160	127	285	45	105	10	12	F
6	C100S100F16F/2	100	160	127	285	45	105	10	12	F
7	C100S100F16S/1	100	160	127	285	45	105	10	12	S
8	C100S100F16S/2	100	160	127	285	45	105	10	12	S
9	C120S120F10F	120	100	76	285	45	115	10	12	F
10	C120S120F16F	120	160	127	285	45	115	10	12	F
11	C120S120F16S	120	160	127	285	45	115	11	12	S
12	C150S150F16F	150	160	127	318	55	135	10	14	F
13	C150S150F16S	150	160	127	318	55	135	10	14	S
14	C160S160F16F/1	160	160	127	318	55	135	10	14	F
15	C160S160F16F/2	160	160	127	318	55	135	10	14	F
16	C160S160F16S/1	160	160	127	318	55	135	10	14	S
17	C160S160F16S/2	160	160	127	318	55	135	10	14	S
18	C200S200F16F	200	160	127	345	55	180	16	14	F
19	C200S200F16F/2	200	160	127	345	55	180	16	14	F
20	C200S200F16FF/2/	200	160	127	345	55	180	16	14	F
21	C100S100F26S/2	100	265	225	390	45	135	12	12	S
22	C100S100F26S/2/C	100	265	225	390	45	105	12	12	S
23	C120S120F26F	120	265	225	390	45	115	12	12	F
24	C120S120F26S	120	265	225	390	45	115	12	12	S
25	C160S160F26F	160	265	225	408	55	135	12	14	F
26	C160S160F26S	160	265	225	408	55	135	12	14	S
27	C200S200F26-C8S	200	265	225	452	55	180	16	14	S
28	C200S200F26-C8F	200	265	225	452	55	180	16	14	F
29	C200S200F26F	200	265	225	452	55	180	16	14	F
30	C250S250F26F	250	265	225	452	55	205	16	14	F

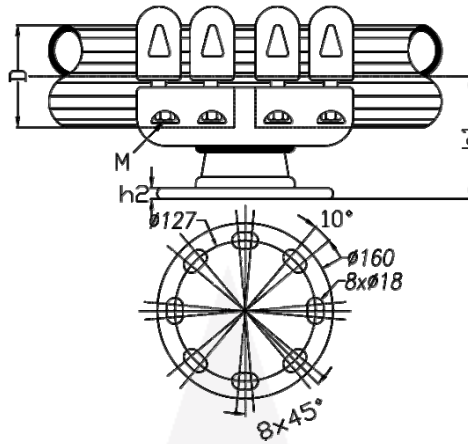
ALDA MANUFACTURING CO.

No. 7, Maryam Alley, Hakim Highway, Tehran-Iran ■ Postal Code: 1473666751

Tel: (+9821) 44003214-6 ■ Fax: (+9821) 44003217

Email: Info@AldaCompany.com

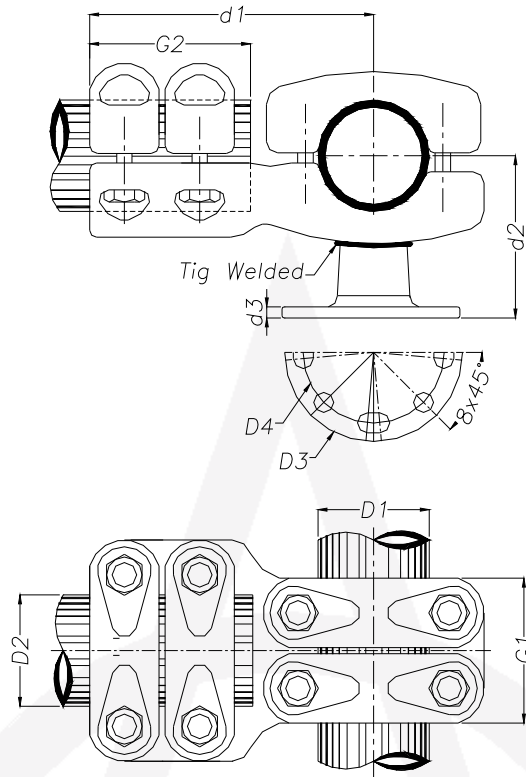
Tube to tube, 230kV & 400kV
 Type 2



No.	PART No.	Dimensions in mm				Slide or Fix
		Φ D	h1	h2	M	
1	C100S100F16F	100	105	10	12	F

ALDA

TEE CONNECTOR BUS BAR SUPPORTS
 Tube to tube, 230kV & 400kV



No.	PART No.	Dimensions in mm								
		Φ				G1	G2	d1	d2	d3
		D1	D2	D3	D4					
1	C80T80F16	80	80	160	127	102	104	200	95	10
2	C80T80F108	80	80	108	76	102	104	200	95	10
3	C100T100F10	100	100	108	76	95	98	190	190	10
4	C100T100F14	100	100	140	76	95	98	190	105	10
5	C100T100F14.5	100	100	145	119	95	98	190	105	10
6	C100T100F16	100	100	160	127	95	98	190	190	10
7	C120T120F11	120	120	110	76	95	98	205	115	10
8	C120T120F16	120	120	160	127	95	98	190	115	10
9	C160T160F16	160	160	160	127	114	100	235	135	10
10	C160T160F26	160	160	265	225	114	100	235	135	13

ALDA MANUFACTURING CO.

No. 7, Maryam Alley, Hakim Highway, Tehran-Iran ■ Postal Code: 1473666751

Tel: (+9821) 44003214-6 ■ Fax: (+9821) 44003217

Email: Info@AldaCompany.com