



PARALLEL CLAMP, Al Conductor to Conductor
TYPE I

PART No.	Dimensions in mm						Net Weight
	Φ Tube	Φ conductor	G1	G2	E	Bolt	Kg / unit.
	Φ conductor	Φ conductor				M	
	D1	D2					
Fig. 1							
C15K15	11-16	11-16		84	50	10	
C20K20	16-21	16-21		84		10	
C20K30	16-21	26-31		84	50	10	
C25K25	21-26	21-26		84	55	10	
C25K30	21-26	26-31		84	55	10	
C25K35	21-26	31-36		84	55	10	
C30K15	31-36	11-16		85	50	10	
C30K30	26-31	26-31		84	50	10	
C40K30	36-41	26-31		83	58	12	
C40K40	36-41	36-41		83	58	12	
C35K35	31-36	31-36		85	50	10	
C45K20	41-46	16-21		83	58	12	
C45K30	41-46	26-31		83		12	
C45K45	41-46	41-46		83	58	12	

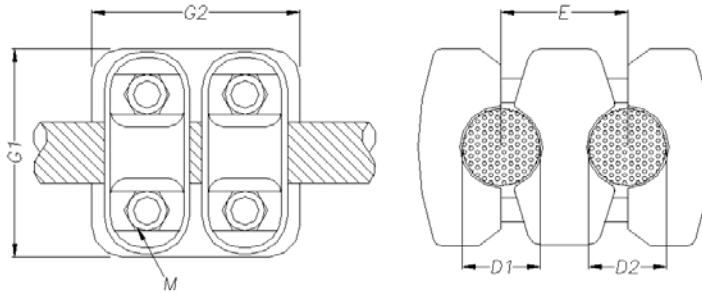


Fig. 1



PARALLEL CLAMP, Al Tube- Al Conductor
TYPE II

PART No.	Dimensions in mm							Bimetal	Net Weight
	Φ Tube	Φ conductor	G1	G2	E	Bolt			
	Φ conductor	Φ conductor				M1	M2		
	D1	D2	Kg / unit.						
Fig. 2- Al Tube- Al Conductor									
C80Q25	80	21-26	98		154	12	12		
C80Q20B	80	16-21	98		154	12	12	•	
C80Q30	80	26-31	98		154	12	12		
C65Q30	65	26-31	98		154	12	12		
C80Q20	80	16-21	98		154	12	12		
C50Q30	50	26-31	98		154	12	12		
C60Q35	60	31-36	98		154	12	12		
C80Q35	80	31-36	98		154	12	12		
C120Q45	120	41-46	98		154	12	12		
C120Q35	120	31-36	98		154	12	12		
C160Q30	160	26-31	168	130	215	14	10		
C120Q25	120	21-26	98		154	12	12		
C100Q30	100	26-31	98		154	12	12		
C100Q40	100	36-41	98		154	12	12		
C80Q40	80	36-41	98		154	12	12		
C100Q25	100	21-26	98		154	12	12		
C160Q40	160	36-41	168	130	215	14	10		
C200Q45	200	41-46	168	130	215	14	10		
C160Q45	160	41-46	168	130	215	14	10		
C200Q40	200	36-41	168	130	215	14	10		
C250Q45	250	41-46	168	130	215	14	10		

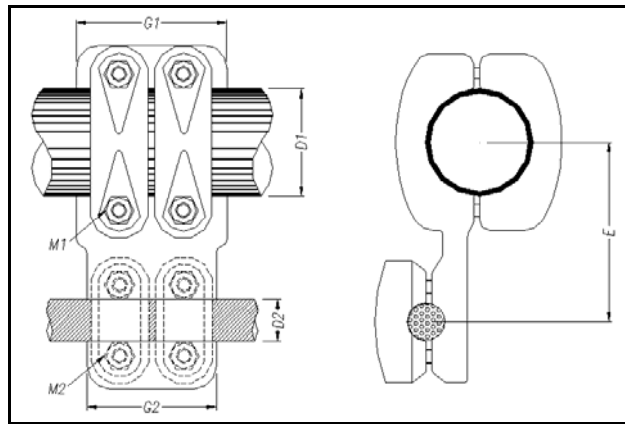


Fig. 2



PARALLEL CLAMP
parallel Groove - Al Conductor to Conductor, FOR 400kV
TYPE III

PART No.	Dimensions in mm						Bimetal	Net Weight
	Φ Tube	Φ conductor	G1	G2	E	Bolt		
	Φ conductor	Φ conductor				M		Kg / unit.
	D1	D2						
Fig. 3								
E415PG415	40.1-41.5	40.1-41.5	119		75	10		
E322PG322	30.1-32.2	30.1-32.2	119		75	10		
E322PG415	30.1-32.2	40.1-41.5	119		75	10		
E335PG335	32.3-33.5	32.3-33.5	117		75	10		
E383PG383	36.2-38.3	36.2-38.3	119		75	10		
					75	10		

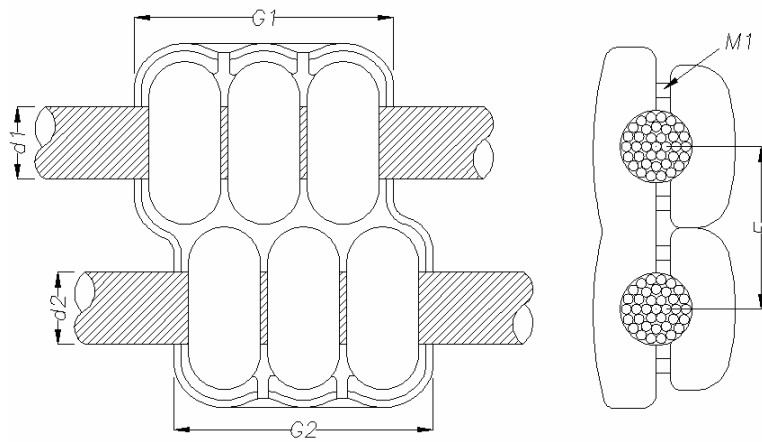


Fig. 3



**PARALLEL CLAMP, Tube to Two Parallel Cables
TYPE IV**

PART No.	Dimensions in mm								Bimetal	Net Weight
	Φ Tube	Φ conductor	G1	G2	E	d	Bolt			
	D1	D2					M1	M2		Kg / unit.
Fig. 4										
CDB45Q120	120	41-46	98		150	105	12	12		
CDB45Q100	100	41-46	98		155	105	12	12		
CDB40Q120	120	36-41	98	92		105	12	12		
CDB40Q100	100	36-41	98		155	105	12	12		
CDB40Q80	80	36-41	98		154	100	12	12		
CDB35Q160	160	31-36	98	92	155	105	12	10		
CDB35Q80	80	31-36	98		154	100	12	12		
CDB30Q160	160	26-31	98	92	155	105	12	10		
CDB30Q120	120	26-31	98	92		105	12	12		
CDB30Q120	120	26-31	98	92		105	12	12		
CDB30Q100	100	26-31	98		155	105	12	10		
CDB30Q90	90	26-31	98	100	154	100	12	12		
CDB30Q80	80	26-31	98		154	100	12	12		
CDB30Q63	63	26-31	98	92	155	105	12	10		
CDB25Q100	100	21-26	98		154	100	12	12		
CDB25Q80	80	21-26	98		153	100	12	12		

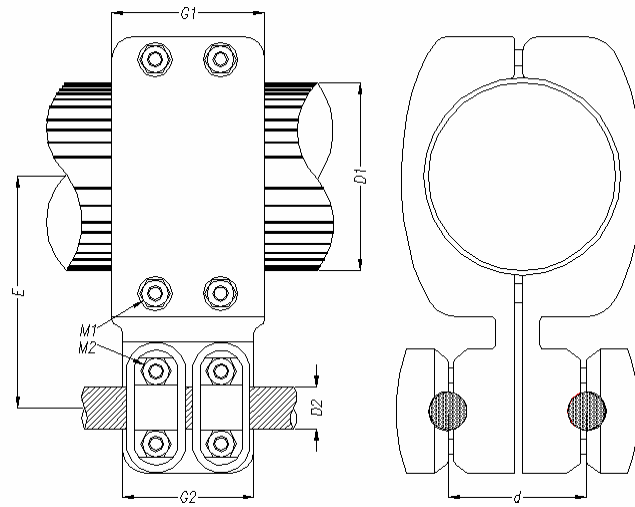


Fig. 4