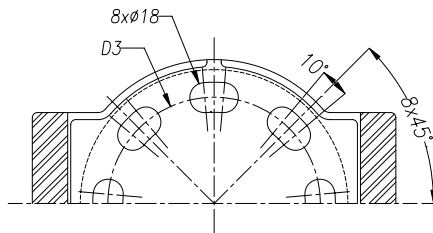
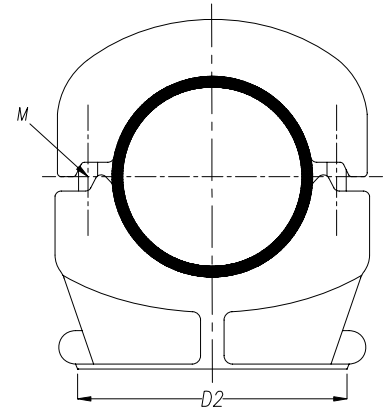
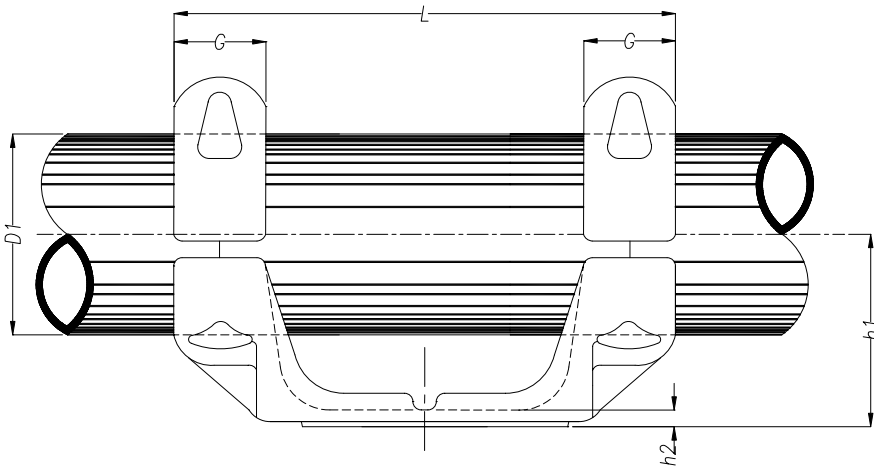




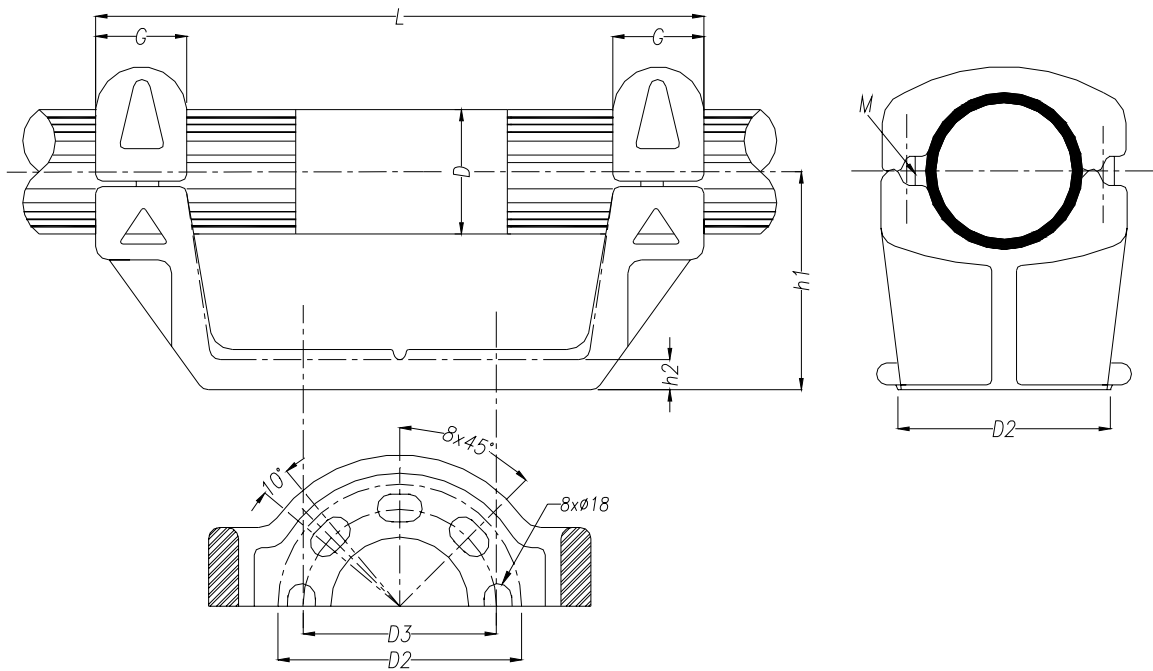
TUBE RUN

PART No.	Dimensions in mm									Slide OR Fix	Net Weight
	Φ			L	G	h1	h2	M	Kg / unit.		
	D1	D2	D3								
C160S160F26S	160	265	225	408	55	135	12	14	S		
C160S160F216F	160	265	225	408	55	135	12	14	F		
C120S120F26S	120	265	225	390	45	115	11	12	S		
C120S120F26F	120	265	225	390	45	115	11	12	F		
C100S100F26S/2	100	265	225	395	45	134	11	12	S		
C100S100F26S/2/C	100	265	225	390	45	105	11	12	S		
C160S160F16S/2	160	160	127	408	55	135	10	14	S		
C160S160F16F/2	160	160	127		55	135	10	14	F		
C120S120F16S	120	160	127	390	45	134	11	12	S		
C120S120F16F	120	160	127	282	45	115	10	12	F		
C100S100F16S/2	100	160	127		45	105	10	12	S		
C100S100F16F/2	100	160	127	285	45	105	10	12	F		
C80S80F16F	80	160	127	285	45	95	12	12	F		
C200S200F16F/2	200	160	127	345	55	180	13	14	F		
C80S80F16S	80	160	127	285	45		12	12	S		
C80S80F10F	80	174	76		45	95	14	12	F		
C120S120F10F	120	108	76	282	45	115	10	12	F		



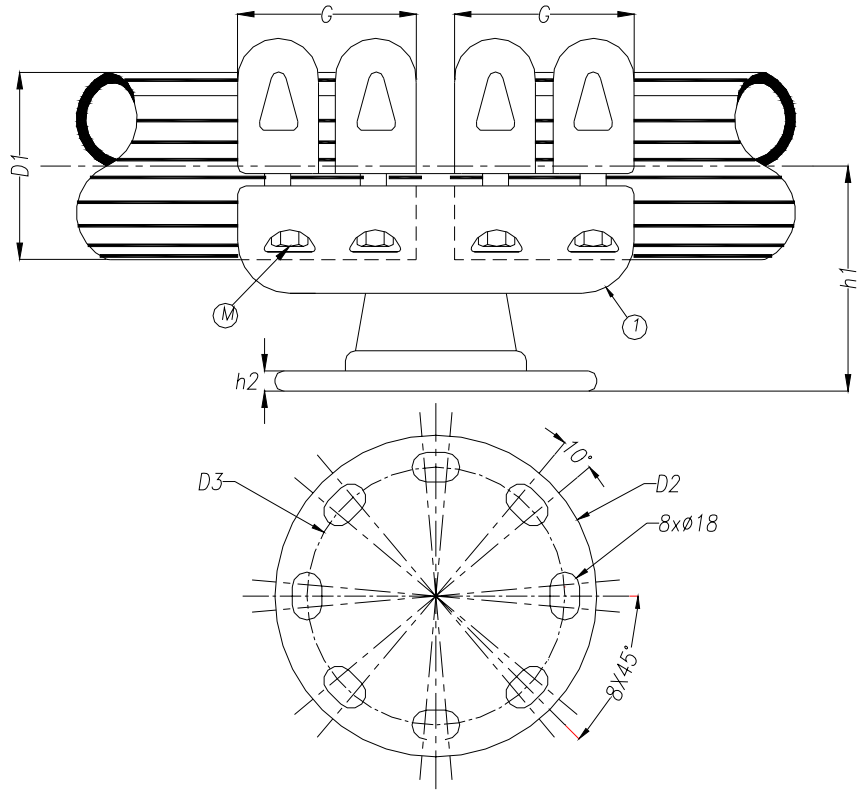


PART No.	Dimensions in mm									Slide OR Fix	Net Weight Kg / unit.
	Φ			L	G	h1	h2	M			
	D1	D2	D3								
C250S250F26F	250	265	225		55	205		14	F		
C160S160F16S/1	160	160	127	318	55	135	10	14	S		
C160S160F16F/1	160	160	127	318	55	135	10	14	F		
C150S150F16S	150	150	127	300	55	135	10	14	S		
C150S150F16F	150	150	127	300	55	135	10	14	F		
C100S100F16S/1	100	100	127	285	45	105	10	12	S		
C100S100F16F/1/C	100	100	127	285	45	105	10	12	F		
C50S50F16F	50	50	127	280	45		8	12	F		



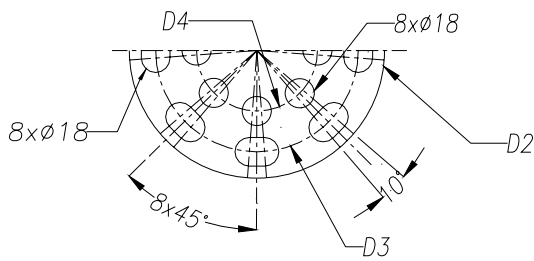
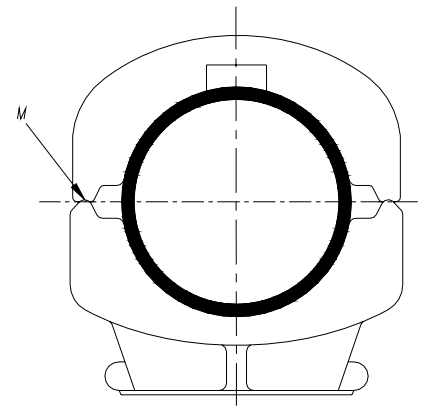
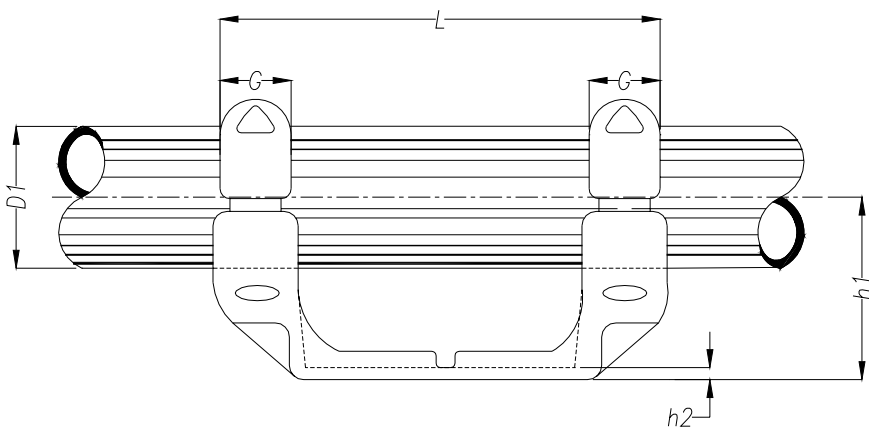


PART No.	Dimensions in mm							Slide OR Fix	Net Weight Kg / unit.
	Φ			G	h1	h2	M		
	D1	D2	D3						
C100S100F16F	100	160	127		105	10	12	F	





PART No.	Dimensions in mm									Slide OR Fix	Net Weight Kg / unit.
	Φ				L	G	h1	h2	M		
	D1	D2	D3	D4							
C200S200F26F	200	265	225	127	345	55	180	15	14	F	
C200S200F16FF2/	200	160	127	-	345	55	180	16	14	F	





PART No.	Dimensions in mm										Slide OR Fix	Net Weight Kg / unit.
	Φ				L	G	h1	h2	M			
	D1	D2	D3	D4								
C200S200F26-C8S	200	265	225	127	452	55	180	15	14	S		
C200S200F26-C8F	200	265	225	127	345	55	180	16	14	F		
C200S200F16F	200	160	127	-	345	55	180	16	14	F		

