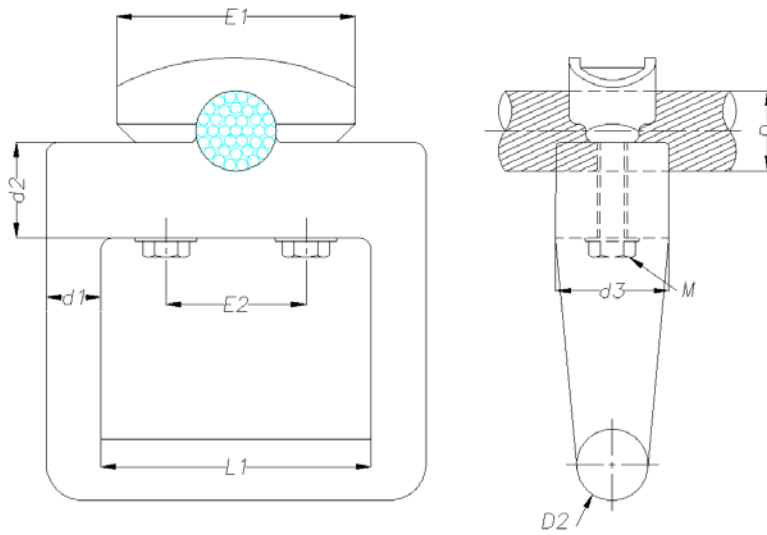




Earthing Clamp- Conductor

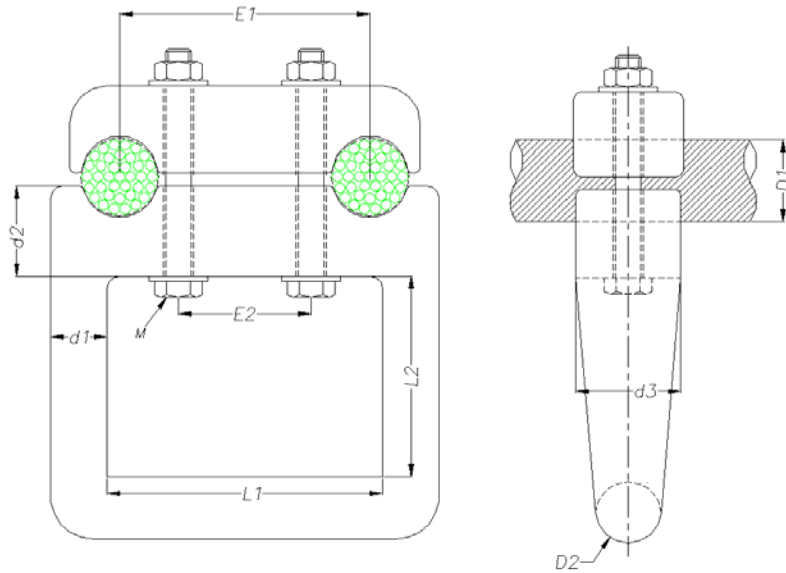
PART No.	Dimensions in mm									Net Weight Kg / unit.
	Φ		d1	d2	d3	E1	E2	L1	Bolt M	
	D1	D2								
Fig. 1										
C383EZP	26.2-38.3	26.5	36	22.5	100	65	110	12		
C361EZP	35.1-36.1	25	40	20	84		110	10		
C335EZP/C	32.3-33.5	35	63	35	25	100	65	240	12	
C335EZP	32.3-33.5	25.6	42		22.5	82	52	110	10	
C300EZP	28.1-30.0	26.5	42		22.5	84	52	110	10	
C280EZP	26.1-28.0	26	42	36	22	84	51	110	10	
C229EZP	21.5-22.9	26.5	42	36	22.5	84	53	110	10	
C415EZP	40.1-41.5	35	63		100	65		12		





Earthing Clamp- Double Conductor

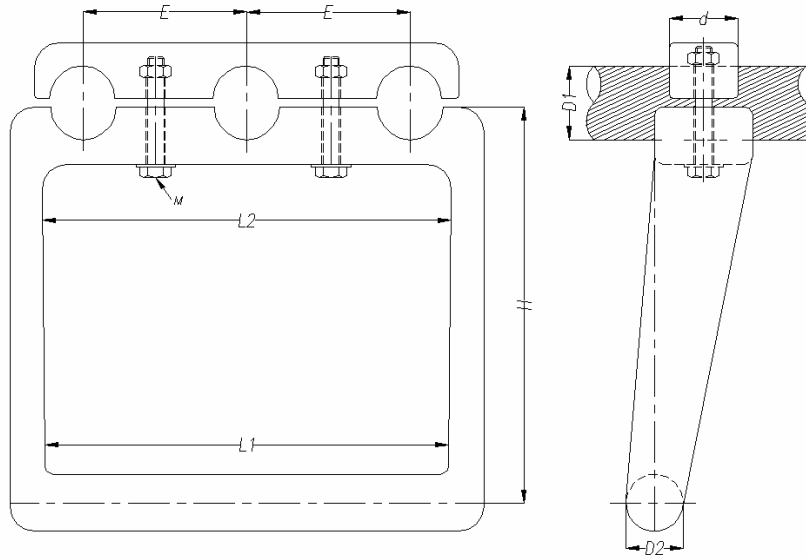
PART No.	Dimensions in mm										Net Weight Kg / unit.
	Φ		E1	E2	d1	d2	d3	L1	L2	Bolt M	
	D1	D2									
Fig. 1											
CDB214EZP	19.7-21.4	26	100	53	23	36	42	110	80	10	
CDB229EZP	21.5-22.9	26	100	53	23	36	42	110	80	10	
CDB260EZP	24.5-26.0	26.5	100	53	22.5	36	42	110	80	10	
CDB280EZP	26.1-28.0	26.5	100	45	22.5	36	42	110	80	10	
CDB300EZP/C	28.1-30.0	35	100	53	26	33	63	240	195	12	
CDB300EZP	28.1-30.0	26	100	45	23	36	42	110	80	10	
CDB335EZP	32.3-33.5	35	100	45	28	35	63	240	195	12	
CDB361EZP	35.1-36.1	26.5	100	53	22.5	36	42	110	78	10	
CDY300EZP	28.1-30.0	35	200			35		237	194	10	
CDY335EZP	32.3-33.5	35	200		28	35		237	193	10	
CDY361EZP	35.1-36.1	35	200		27	35		237	194	10	
CDY383EZP	36.2-38.3	25	200		22	35		246	203	10	
CDY415EZP	40.1-41.5	35	200			35		237	194	10	





Earthing Clamp- Tripple Conductor

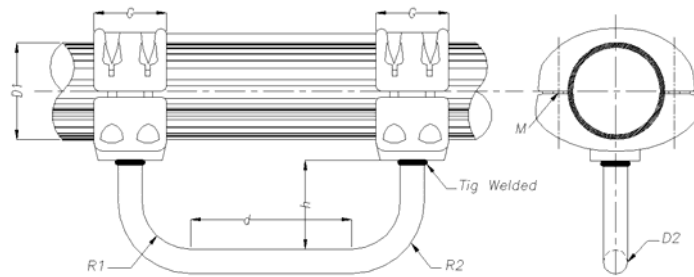
PART No.	Dimensions in mm								Net Weight
	Φ		E	d	H	L1	L2	Bolt M	Kg / unit.
	D1	D2							
Fig. 1									
CTB383EZP	36.2-38.3	35	100	42	246	237	240	10	
CTB415EZP	40.1-41.5	35	100	42	246	237	240	10	





Earthing Clamp- AL TUBE

PART No.	Dimensions in mm								Net Weight Kg / unit.
	Φ		G	d	h	R1	R2	Bolt M	
	D1	D2							
Fig. 1									
C50EZP	50	25	40	130	110	100	125	12	
C80EZP/C	80	25	45	130	158	100	100	12	
C80EZP	80	25	45	130	110	100	100	12	
C100EZP	100	25	12	100	125	100	125	12	
C120EZP	120	25	90	100	125	100	125	12	
C160EZP	160	25	105	200	110	60	85	14	
C200EZP	200	30	105					14	
C250EZP	250	25		200	110			14	





Earthing Clamp- AL TUBE

PART No.	Dimensions in mm											Net Weight Kg / unit.
	Φ		G	H1	H2	d1	d2	d3	L1	Bolt		
	D1	D2								M1	M2	
Fig. 1												
C80QEZP	80			80	105		35		110	12	14	
C100QEZP	100	25	45	80	105	20	35	40	110	12	14	

